

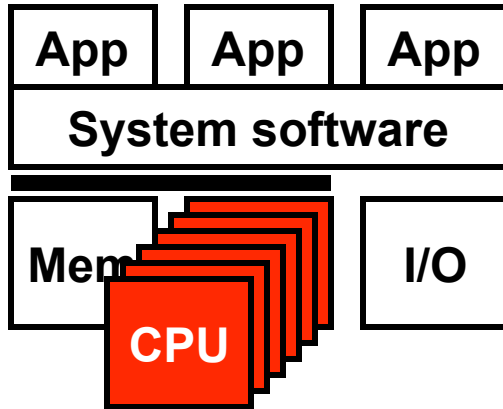
CIS 501

Computer Architecture

Unit 9: Multicore (Shared Memory Multiprocessors)

Slides originally developed by Amir Roth with contributions by Milo Martin at University of Pennsylvania with sources that included University of Wisconsin slides by Mark Hill, Guri Sohi, Jim Smith, and David Wood.

This Unit: Shared Memory Multiprocessors



- Thread-level parallelism (TLP)
- Shared memory model
 - Multiplexed uniprocessor
 - Hardware multithreading
 - Multiprocessing
- Synchronization
 - Lock implementation
 - Locking gotchas
- Cache coherence
 - Bus-based protocols
 - Directory protocols
- Memory consistency models

Readings

- Textbook (MA:FSPTCM)
 - Sections 7.0, 7.1.3, 7.2-7.4
 - Section 8.2

Beyond Implicit Parallelism

- Consider “daxpy”:

```
daxpy(double *x, double *y, double *z, double a):  
    for (i = 0; i < SIZE; i++)  
        z[i] = a*x[i] + y[i];
```

- Lots of instruction-level parallelism (ILP)
 - Great!
 - But how much can we really exploit? 4 wide? 8 wide?
 - Limits to (efficient) super-scalar execution
- But, if SIZE is 10,000, the loop has 10,000-way parallelism!
 - How do we exploit it?

Explicit Parallelism

- Consider “daxpy”:

```
daxpy(double *x, double *y, double *z, double a):  
    for (i = 0; i < SIZE; i++)  
        z[i] = a*x[i] + y[i];
```

- Break it up into N “chunks” on N cores!

- Done by the programmer (or maybe a really smart compiler)

```
daxpy(int chunk_id, double *x, double *y, *z, double a):  
    chunk_size = SIZE / N  
    my_start = chunk_id * chunk_size  
    my_end = my_start + chunk_size  
    for (i = my_start; i < my_end; i++)  
        z[i] = a*x[i] + y[i]
```

SIZE = 400, N=4

Chunk ID	Start	End
0	0	99
1	100	199
2	200	299
3	300	399

- Assumes

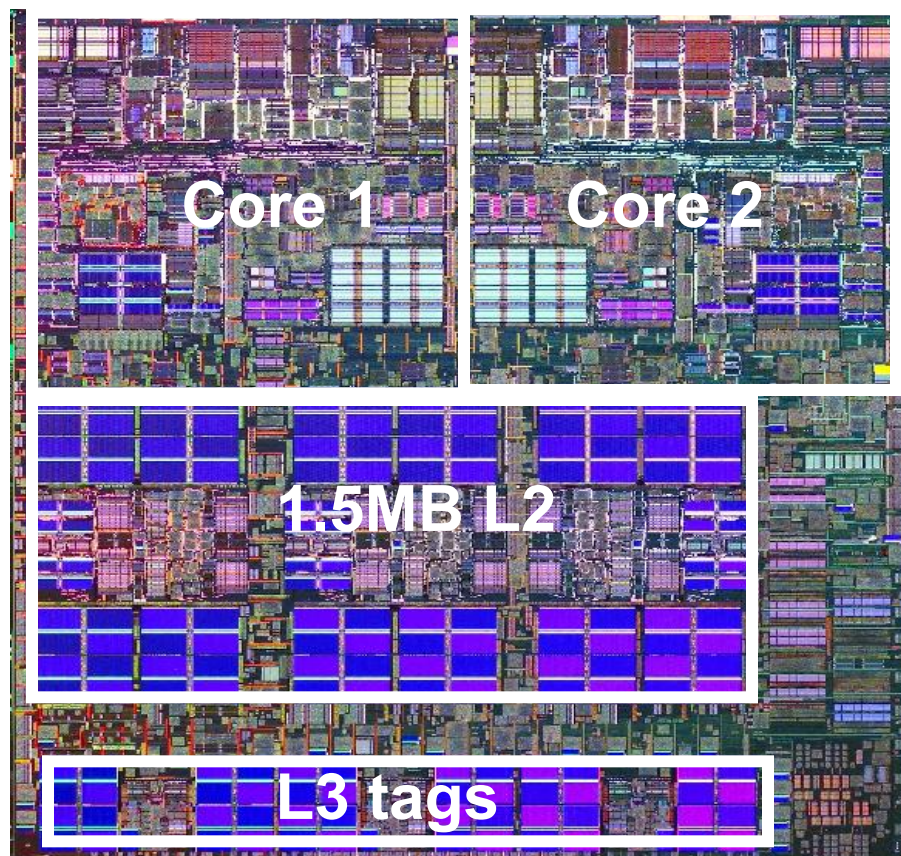
- Local variables are “private” and x, y, and z are “shared”
- Assumes SIZE is a multiple of N (that is, $SIZE \% N == 0$)

Multiplying Performance

- A single processor can only be so fast
 - Limited clock frequency
 - Limited instruction-level parallelism
 - Limited cache hierarchy
- What if we need even more computing power?
 - Use multiple processors!
 - But how?
- High-end example: Sun Ultra Enterprise 25k
 - 72 UltraSPARC IV+ processors, 1.5Ghz
 - 1024 GBs of memory
 - Niche: large database servers
 - \$\$\$



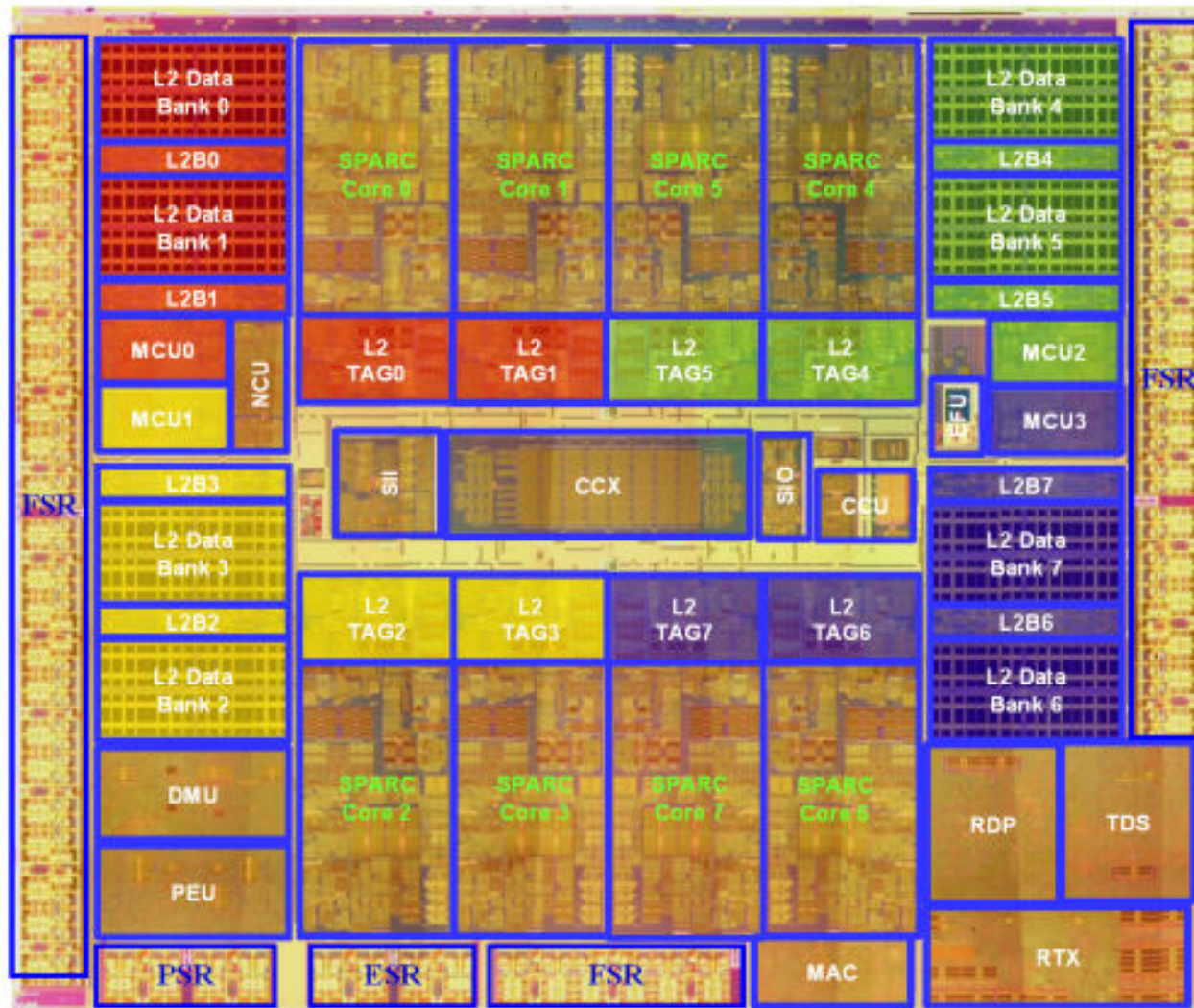
Multicore: Mainstream Multiprocessors



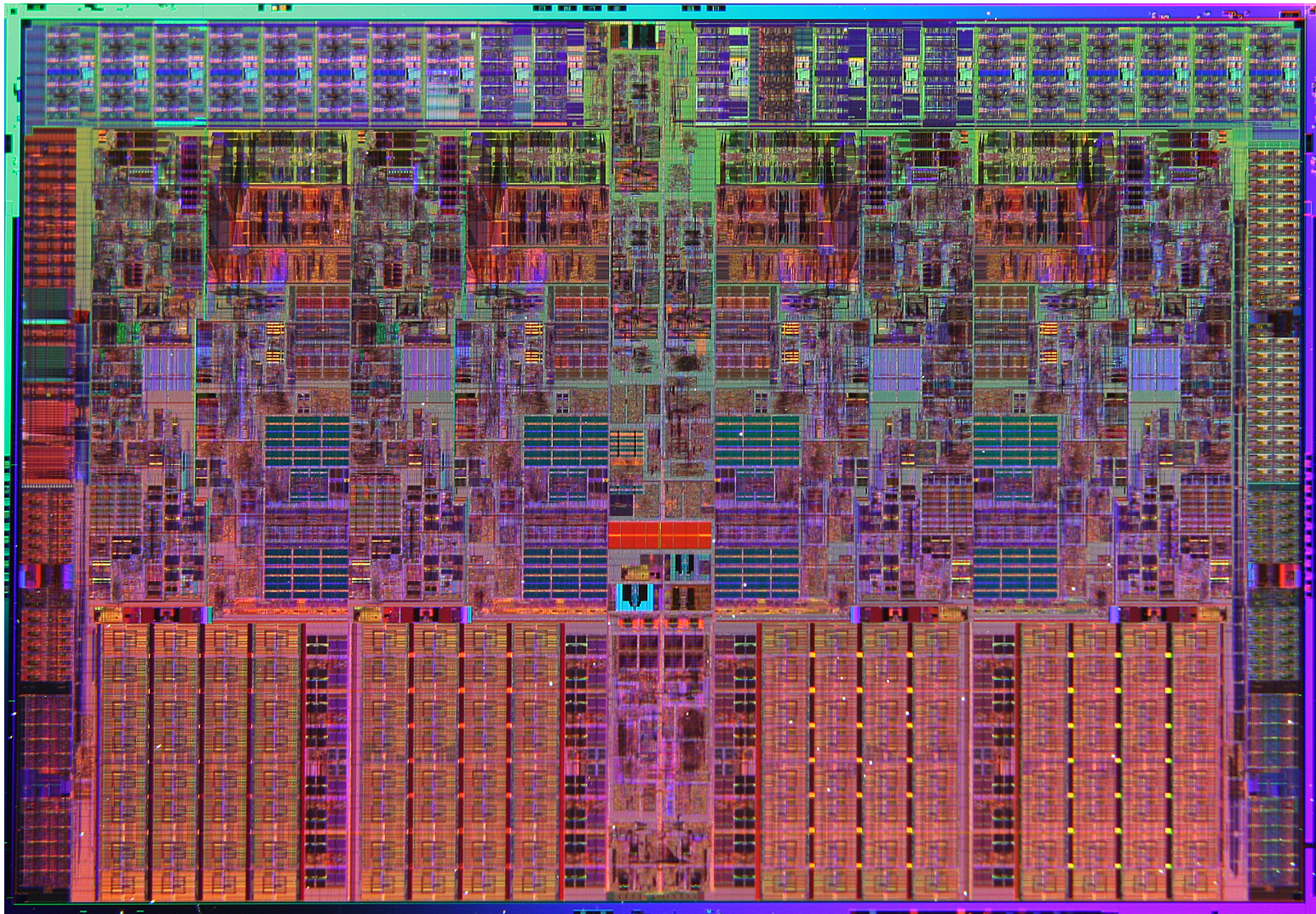
Why multicore? What else would you do with 1 billion transistors?

- **Multicore chips**
- **IBM Power5**
 - Two 2+GHz PowerPC cores
 - Shared 1.5 MB L2, L3 tags
- **AMD Quad Phenom**
 - Four 2+ GHz cores
 - Per-core 512KB L2 cache
 - Shared 2MB L3 cache
- **Intel Core i7 Quad**
 - Four cores, private L2s
 - Shared 6 MB L3
- **Sun Niagara**
 - 8 cores, each 4-way threaded
 - Shared 2MB L2, shared FP
 - For servers, not desktop

Sun Niagara II



Intel Quad-Core "Core i7"



Application Domains for Multiprocessors

- **Scientific computing/supercomputing**
 - Examples: weather simulation, aerodynamics, protein folding
 - Large grids, integrating changes over time
 - Each processor computes for a part of the grid
- **Server workloads**
 - Example: airline reservation database
 - Many concurrent updates, searches, lookups, queries
 - Processors handle different requests
- **Media workloads**
 - Processors compress/decompress different parts of image/frames
- **Desktop workloads...**
- **Gaming workloads...**

But software must be written to expose parallelism

“THREADING” & SHARED MEMORY EXECUTION MODEL

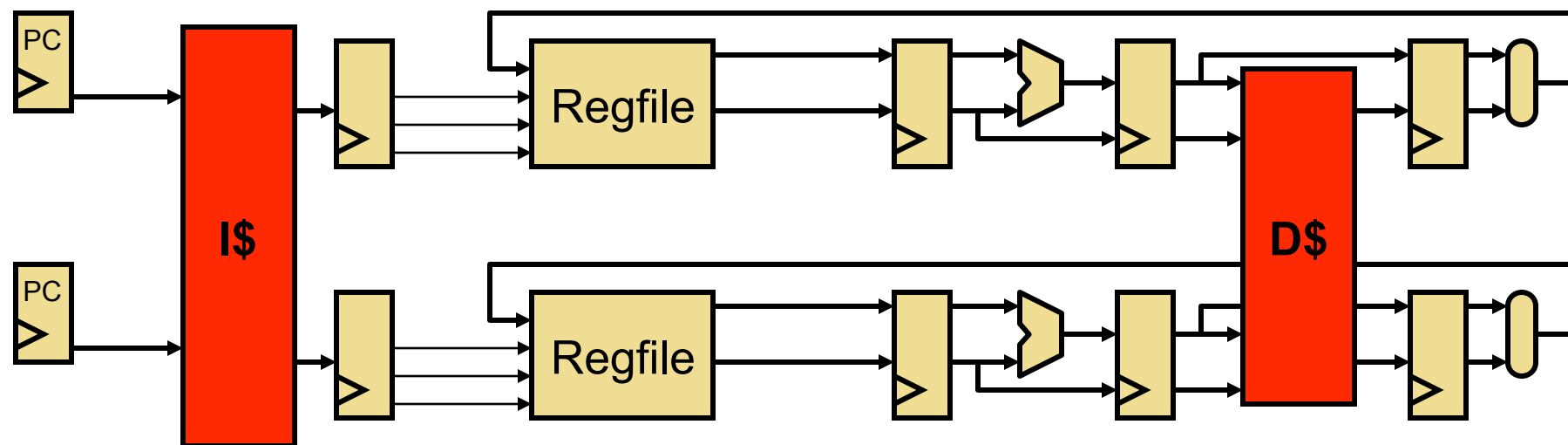
First, Uniprocessor Concurrency

- **Software “thread”**: Independent flows of execution
 - “private” per-thread state
 - Context state: PC, registers
 - Stack (per-thread local variables)
 - “shared” state: Globals, heap, etc.
 - Threads generally share the same memory space
 - “Process” like a thread, but different memory space
 - Java has thread support built in, C/C++ supports P-threads library
- Generally, system software (the O.S.) manages threads
 - “Thread scheduling”, “context switching”
 - In single-core system, all threads share the one processor
 - Hardware timer interrupt occasionally triggers O.S.
 - Quickly swapping threads gives illusion of concurrent execution
 - Much more in an operating systems course

Multithreaded Programming Model

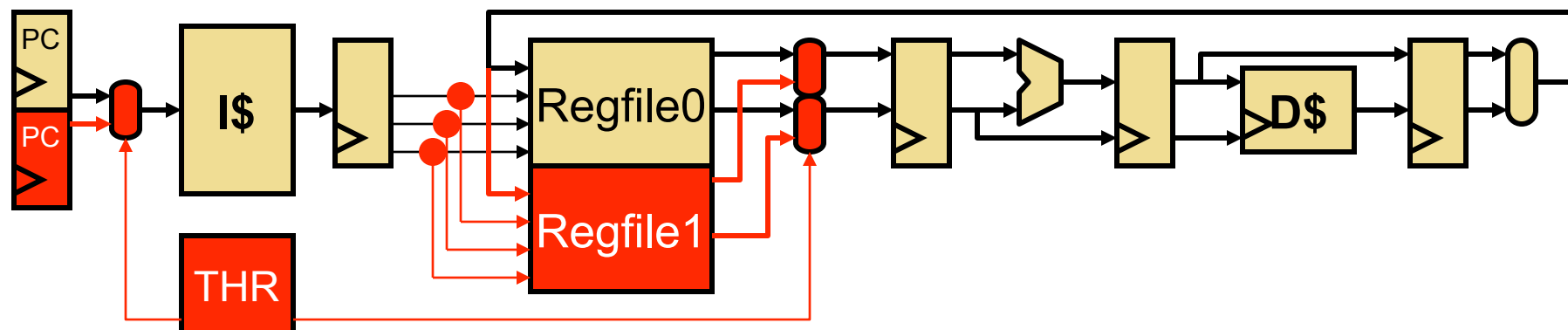
- Programmer explicitly creates multiple threads
- All loads & stores to a single **shared memory** space
 - Each thread has a private stack frame for local variables
- A “thread switch” can occur at any time
 - Pre-emptive multithreading by OS
- Common uses:
 - Handling user interaction (GUI programming)
 - Handling I/O latency (send network message, wait for response)
 - **Expressing parallel work via Thread-Level Parallelism (TLP)**
 - This is our focus!

Simplest Multiprocessor



- Replicate entire processor pipeline!
 - Instead of replicating just register file & PC
 - Exception: share the caches (we'll address this bottleneck later)
- Multiple threads execute
 - "Shared memory" programming model
 - Operations (loads and stores) are interleaved at random
 - Loads returns the value written by most recent store to location

Alternative: Hardware Multithreading



- **Hardware Multithreading (MT)**
 - Multiple threads dynamically share a single pipeline
 - Replicate only per-thread structures: program counter & registers
 - Hardware interleaves instructions
- + **Multithreading improves utilization and throughput**
 - Single programs utilize <50% of pipeline (branch, cache miss)
- **Multithreading does not improve single-thread performance**
 - Individual threads run as fast or even slower
- **Coarse-grain MT**: switch on L2 misses Why?
- **Simultaneous MT**: no explicit switching, fine-grain interleaving

Shared Memory Implementations

- **Multiplexed uniprocessor**
 - Runtime system and/or OS occasionally pre-empt & swap threads
 - Interleaved, but no parallelism
- **Multiprocessing**
 - Multiply execution resources, higher peak performance
 - Same interleaved shared-memory model
 - Foreshadowing: allow private caches, further disentangle cores
- **Hardware multithreading**
 - Tolerate pipeline latencies, higher efficiency
 - Same interleaved shared-memory model
- **All support the shared memory programming model**

Four Shared Memory Issues

1. Parallel programming

- How does the programmer express the parallelism?

2. Synchronization

- How to regulate access to shared data?
- How to implement “locks”?

3. Cache coherence

- If cores have private (non-shared) caches
- How to make writes to one cache “show up” in others?

4. Memory consistency models

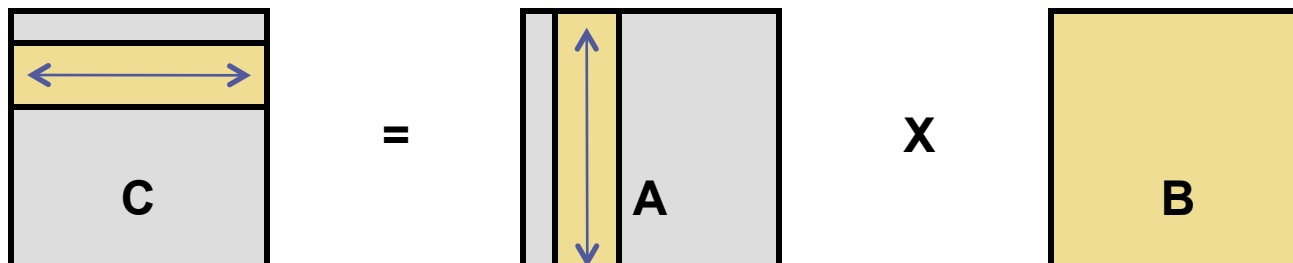
- How to keep programmer sane while letting hardware optimize?
- How to reconcile shared memory with store buffers?

PARALLEL PROGRAMMING

Parallel Programming

- One use of multiprocessors: **multiprogramming**
 - Running multiple programs with no interaction between them
 - Works great for a few cores, but what next?
- Or, programmers must **explicitly** express parallelism
 - “Coarse” parallelism beyond what the hardware can extract **implicitly**
 - Even the compiler can’t extract it in most cases
- How?
 - Call libraries that perform well-known computations in parallel
 - Example: a matrix multiply routine, etc.
 - Parallel “for” loops, task-based parallelism, ...
 - Add code annotations (“this loop is parallel”), OpenMP
 - Explicitly spawn “threads”, OS schedules them on the cores
- Parallel programming: key challenge in multicore revolution

Example: Parallelizing Matrix Multiply



```
for (I = 0; I < 100; I++)  
  for (J = 0; J < 100; J++)  
    for (K = 0; K < 100; K++)  
      C[I][J] += A[I][K] * B[K][J];
```

- How to parallelize matrix multiply?
 - Replace outer “for” loop with “**parallel_for**”
 - Support by many parallel programming environments
- Implementation: give each of N processors loop iterations

```
int start = (100/N) * my_id();  
for (I = start; I < start + 100/N; I++)  
  for (J = 0; J < 100; J++)  
    for (K = 0; K < 100; K++)  
      C[I][J] += A[I][K] * B[K][J];
```

- Each processor runs copy of loop above
 - Library provides **my_id()** function

Example: Bank Accounts

- Consider

```
struct acct_t { int balance; ... };
struct acct_t accounts[MAX_ACCT];      // current balances

struct trans_t { int id; int amount; };
struct trans_t transactions[MAX_TRANS]; // debit amounts

for (i = 0; i < MAX_TRANS; i++) {
    debit(transactions[i].id, transactions[i].amount);
}

void debit(int id, int amount) {
    if (accounts[id].balance >= amount) {
        accounts[id].balance -= amount;
    }
}
```

- Can we do these “debit” operations in parallel?
 - Does the order matter?

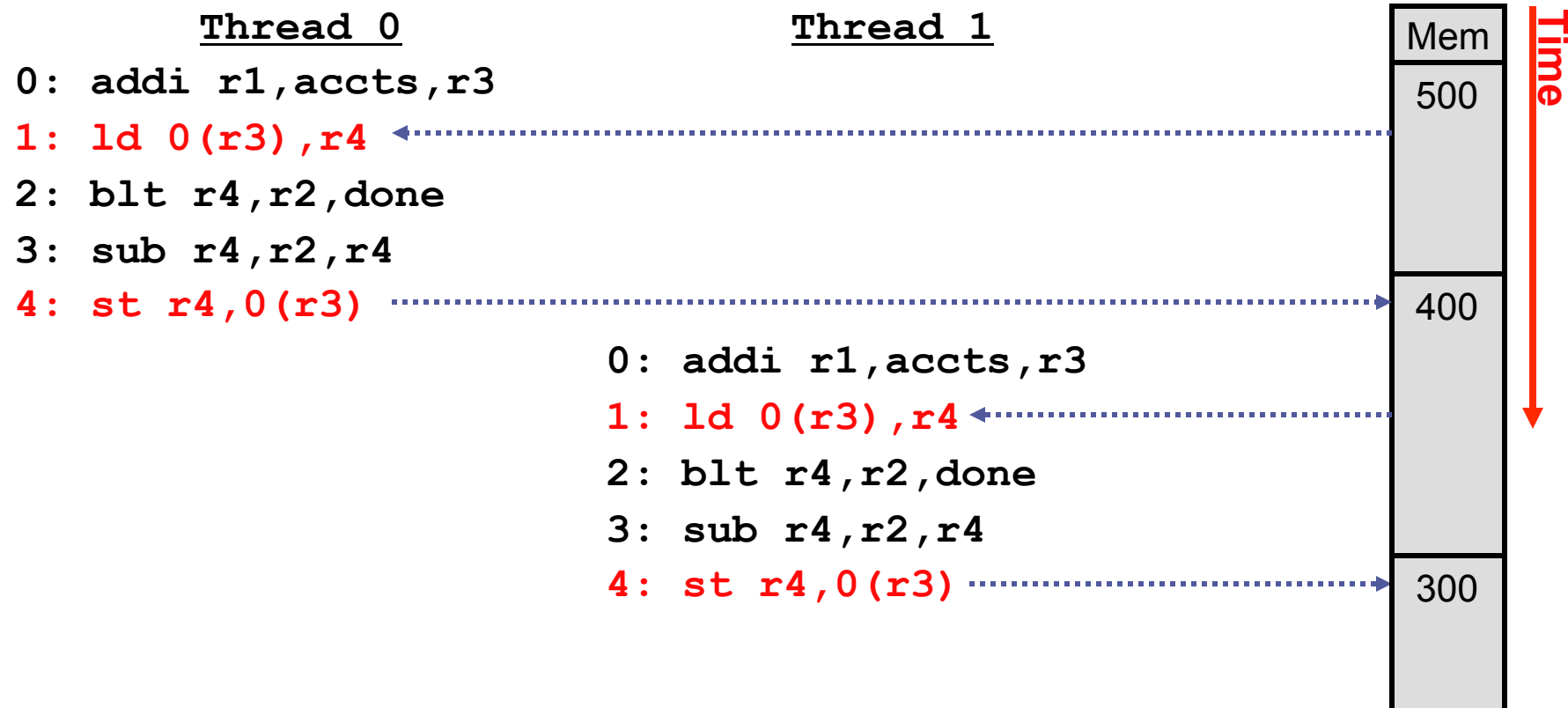
Example: Bank Accounts

```
struct acct_t { int bal; ... };
shared struct acct_t accts[MAX_ACCT];
void debit(int id, int amt) {
    if (accts[id].bal >= amt)
    {
        accts[id].bal -= amt;
    }
}
```

0: addi r1,accts,r3
1: ld 0(r3),r4
2: blt r4,r2,done
3: sub r4,r2,r4
4: st r4,0(r3)

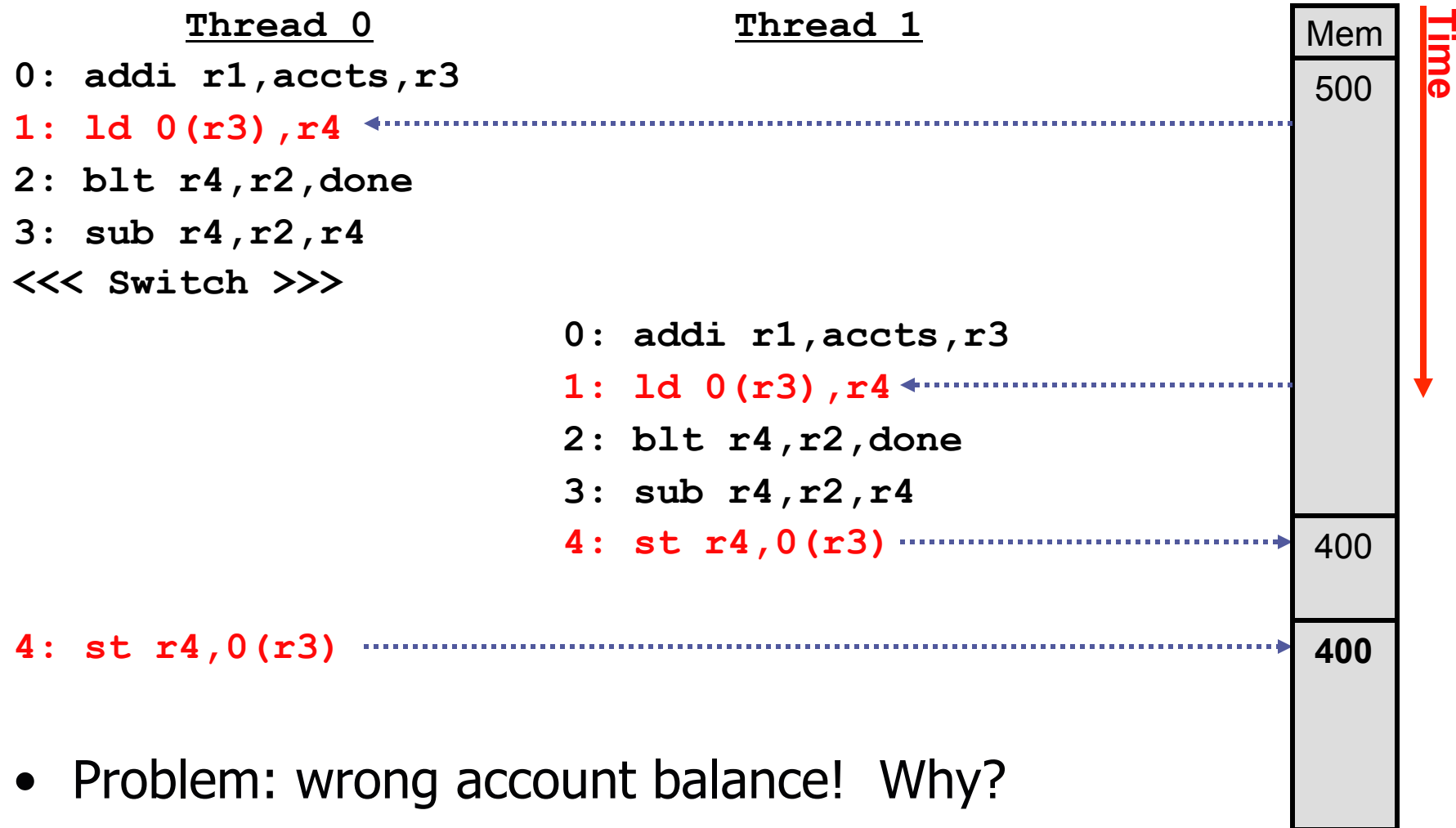
- Example of **Thread-level parallelism (TLP)**
 - Collection of asynchronous tasks: not started and stopped together
 - Data shared “loosely” (sometimes yes, mostly no), dynamically
- Example: database/web server (each query is a thread)
 - **accts** is global and thus **shared**, can't register allocate
 - **id** and **amt** are private variables, register allocated to **r1**, **r2**
- Running example

An Example Execution



- Two \$100 withdrawals from account #241 at two ATMs
 - Each transaction executed on different processor
 - Track `accts[241].bal` (address is in `r3`)

A Problem Execution



- Problem: wrong account balance! Why?
 - Solution: synchronize access to account balance

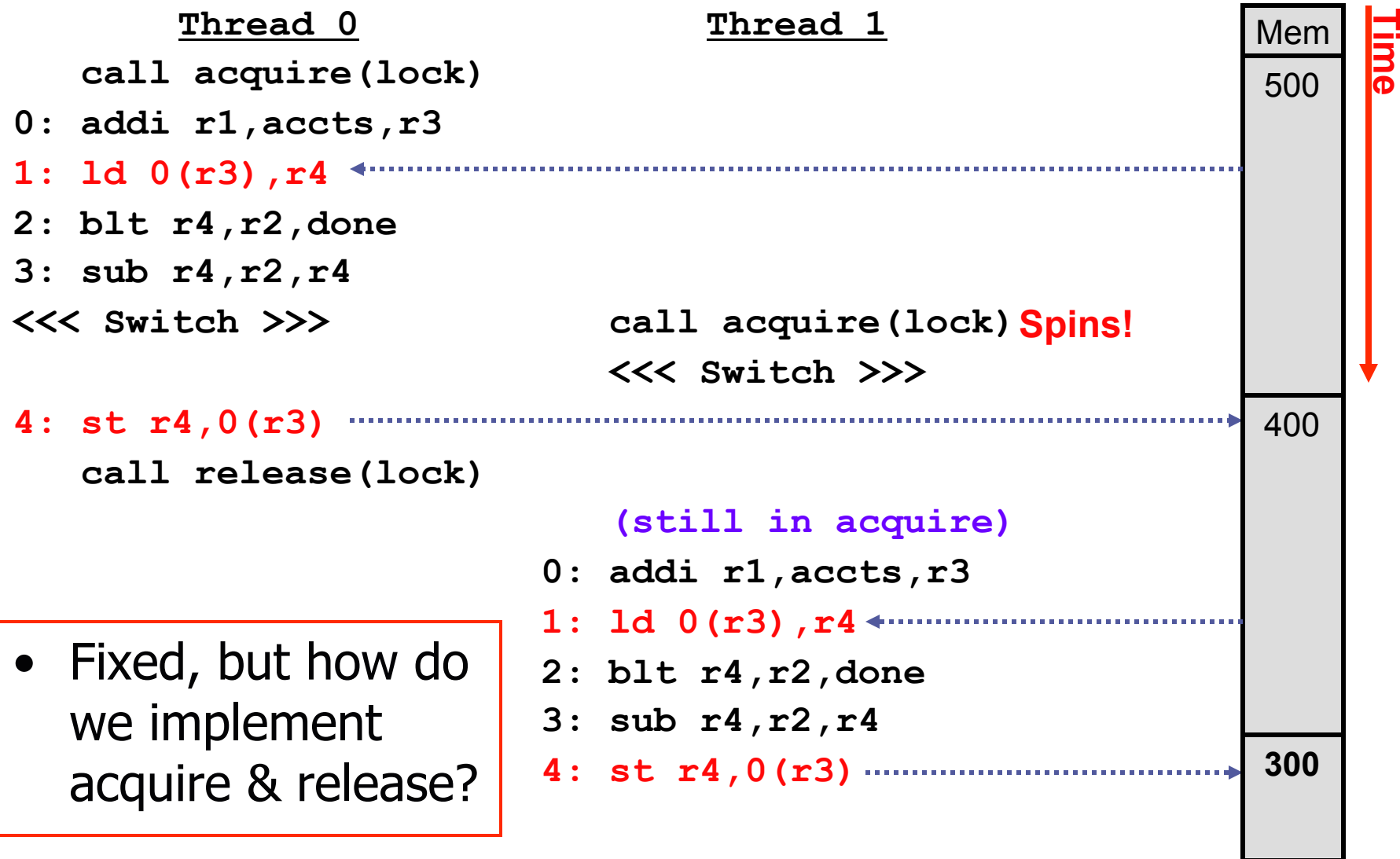
SYNCHRONIZATION

Synchronization:

- **Synchronization**: a key issue for shared memory
- Regulate access to shared data (mutual exclusion)
- Low-level primitive: **lock** (higher-level: "semaphore" or "mutex")
 - Operations: **acquire(lock)** and **release(lock)**
 - Region between **acquire** and **release** is a **critical section**
 - Must interleave **acquire** and **release**
 - Interfering **acquire** will block
- Another option: **Barrier synchronization**
 - Blocks until all threads reach barrier, used at end of "parallel_for"

```
struct acct_t { int bal; ... };  
shared struct acct_t accts[MAX_ACCT];  
shared int lock;  
void debit(int id, int amt):  
    acquire(lock);                                critical section  
    if (accts[id].bal >= amt) {  
        accts[id].bal -= amt;  
    }  
    release(lock);
```

A Synchronized Execution



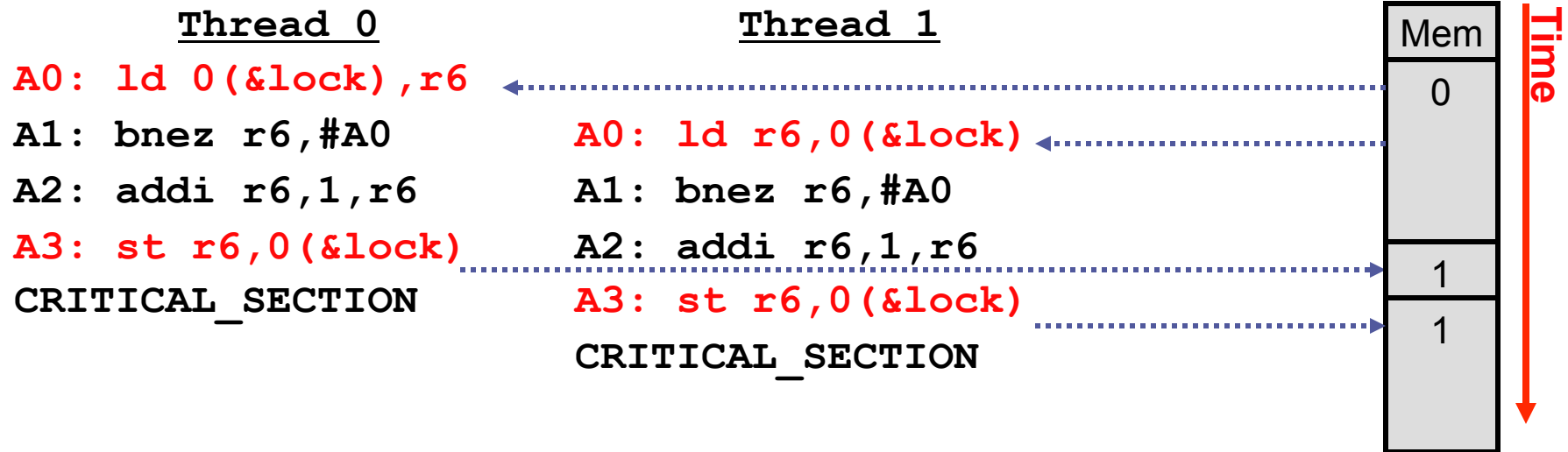
Strawman Lock (Incorrect)

- **Spin lock**: software lock implementation
 - `acquire(lock): while (lock != 0) {} lock = 1;`
 - "Spin" while lock is 1, wait for it to turn 0

```
A0: ld 0(&lock), r6
A1: bnez r6, A0
A2: addi r6, 1, r6
A3: st r6, 0(&lock)
```
 - `release(lock): lock = 0;`

```
R0: st r0, 0(&lock) // r0 holds 0
```

Strawman Lock (Incorrect)



- Spin lock makes intuitive sense, but doesn't actually work
 - Loads/stores of two **acquire** sequences can be interleaved
 - Lock **acquire** sequence also not atomic
 - **Same problem as before!**
- Note, **release** is trivially atomic

A Correct Implementation: SYSCALL Lock

ACQUIRE_LOCK:

```
A1: disable_interrupts      atomic
A2: ld r6,0(&lock)
A3: bnez r6,#A0
A4: addi r6,1,r6
A5: st r6,0(&lock)
A6: enable_interrupts
```

A7: return

- Implement lock in a SYSCALL
 - Only kernel can control interleaving by disabling interrupts
 - + Works...
 - Large system call overhead
 - **But not in a hardware multithreading or a multiprocessor...**

Better Spin Lock: Use Atomic Swap

- ISA provides an atomic lock acquisition instruction

- Example: **atomic swap**

```
swap r1,0(&lock)
```

- Atomically executes:

```
mov r1->r2
ld r1,0(&lock)
st r2,0(&lock)
```

- New acquire sequence

```
(value of r1 is 1)
```

```
A0: swap r1,0(&lock)
```

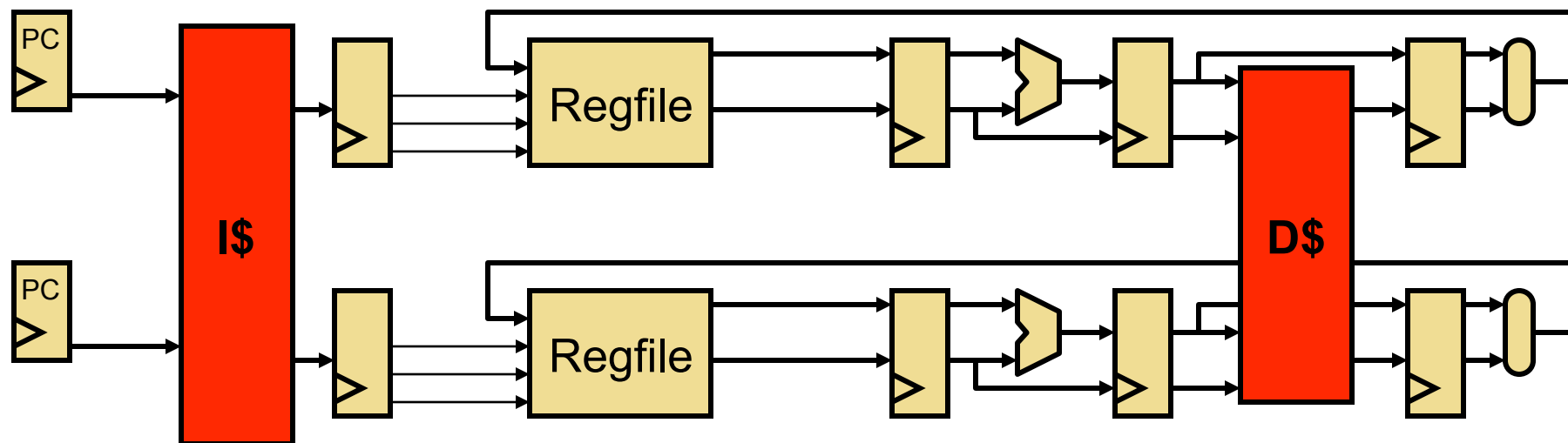
```
A1: bnez r1,A0
```

- If lock was initially busy (1), doesn't change it, **keep looping**
- If lock was initially free (0), acquires it (sets it to 1), break loop

- Insures lock held by **at most one thread**

- Other variants: **exchange**, **compare-and-swap**, **test-and-set (t&s)**, or **fetch-and-add**

Atomic Update/Swap Implementation



- How is atomic swap implemented?
 - Need to ensure no intervening memory operations
 - Requires blocking access by other threads temporarily (yuck)
- How to pipeline it?
 - Both a load and a store (yuck)
 - Not very RISC-like
 - Some ISAs provide a "load-link" and "store-conditional" insn. pair

RISC Test-And-Set

- **swap**: a load and store in one insn is not very “RISC”
 - Broken up into micro-ops, but then how is it made atomic?
- **ll/sc**: load-locked / store-conditional
 - Atomic load/store pair

```
ll r1,0(&lock)
// potentially other insns
sc r2,0(&lock)
```
 - On **ll**, processor remembers address...
 - ...And looks for writes by other processors
 - If write is detected, next **sc** to same address is annulled
 - Sets failure condition

Lock Correctness

Thread 0

A0: swap r1,0(&lock)

A1: bnez r1,#A0

CRITICAL_SECTION

Thread 1

A0: swap r1,0(&lock)

A1: bnez r1,#A0

A0: swap r1,0(&lock)

A1: bnez r1,#A0

+ Lock actually works...

- Thread 1 keeps spinning
- Sometimes called a “test-and-set lock”
 - Named after the common “test-and-set” atomic instruction

“Test-and-Set” Lock Performance

Thread 0

A0: **swap** r1,0(&lock)

A1: bnez r1,#A0

A0: **swap** r1,0(&lock)

A1: bnez r1,#A0

Thread 1

A0: **swap** r1,0(&lock)

A1: bnez r1,#A0

A0: **swap** r1,0(&lock)

A1: bnez r1,#A0

– ...but performs poorly

- Consider 3 processors rather than 2
- Processor 2 (not shown) has the lock and is in the critical section
- But what are processors 0 and 1 doing in the meantime?
 - Loops of **swap**, each of which includes a **st**
 - Repeated stores by multiple processors costly (more in a bit)
 - Generating a ton of useless interconnect traffic

Test-and-Test-and-Set Locks

- Solution: **test-and-test-and-set locks**
 - New acquire sequence
 - A0: ld r1,0(&lock)**
 - A1: bnez r1,A0**
 - A2: addi r1,1,r1**
 - A3: swap r1,0(&lock)**
 - A4: bnez r1,A0**
 - Within each loop iteration, before doing a **swap**
 - Spin doing a simple test (**ld**) to see if lock value has changed
 - Only do a **swap** (**st**) if lock is actually free
 - Processors can spin on a busy lock locally (in their own cache)
 - + Less unnecessary interconnect traffic
 - Note: test-and-test-and-set is not a new instruction!
 - Just different software

Queue Locks

- Test-and-test-and-set locks can still perform poorly
 - If lock is contended for by many processors
 - Lock release by one processor, creates “free-for-all” by others
 - Interconnect gets swamped with **swap** requests
- **Software queue lock**
 - Each waiting processor spins on a different location (a queue)
 - When lock is released by one processor...
 - Only the next processors sees its location go “unlocked”
 - Others continue spinning locally, unaware lock was released
 - Effectively, passes lock from one processor to the next, in order
 - + Greatly reduced network traffic (no mad rush for the lock)
 - + Fairness (lock acquired in FIFO order)
 - Higher overhead in case of no contention (more instructions)
 - Poor performance if one thread gets swapped out

Programming With Locks Is Tricky

- Multicore processors are the way of the foreseeable future
 - thread-level parallelism anointed as parallelism model of choice
 - Just one problem...
- Writing lock-based multi-threaded programs is tricky!
- More precisely:
 - Writing programs that are correct is “easy” (not really)
 - Writing programs that are highly parallel is “easy” (not really)
 - **Writing programs that are both correct and parallel is difficult**
 - And that’s the whole point, unfortunately
 - Selecting the “right” kind of lock for performance
 - Spin lock, queue lock, ticket lock, read/writer lock, etc.
 - **Locking granularity issues**

Coarse-Grain Locks: Correct but Slow

- **Coarse-grain locks:** e.g., one lock for entire database
 - + Easy to make correct: no chance for unintended interference
 - Limits parallelism: no two critical sections can proceed in parallel

```
struct acct_t { int bal; ... };
shared struct acct_t accts[MAX_ACCT];
shared Lock_t lock;
void debit(int id, int amt) {
    acquire(lock);
    if (accts[id].bal >= amt) {
        accts[id].bal -= amt;
    }
    release(lock);
}
```

Fine-Grain Locks: Parallel But Difficult

- **Fine-grain locks:** e.g., multiple locks, one per record
 - + Fast: critical sections (to different records) can proceed in parallel
 - Difficult to make correct: easy to make mistakes
 - This particular example is easy
 - Requires only one lock per critical section

```
struct acct_t { int bal, Lock_t lock; ... };  
shared struct acct_t accts[MAX_ACCT];
```

```
void debit(int id, int amt) {  
    acquire(accts[id].lock);  
    if (accts[id].bal >= amt) {  
        accts[id].bal -= amt;  
    }  
    release(accts[id].lock);  
}
```

- What about critical sections that require two locks?

Multiple Locks

- **Multiple locks:** e.g., acct-to-acct transfer
 - Must acquire both `id_from`, `id_to` locks
 - Running example with accts 241 and 37
 - Simultaneous transfers `241 → 37` and `37 → 241`
 - Contrived... but even contrived examples must work correctly too

```
struct acct_t { int bal, Lock_t lock; ...};
shared struct acct_t accts[MAX_ACCT];
void transfer(int id_from, int id_to, int amt) {
    acquire(accts[id_from].lock);
    acquire(accts[id_to].lock);
    if (accts[id_from].bal >= amt) {
        accts[id_from].bal -= amt;
        accts[id_to].bal += amt;
    }
    release(accts[id_to].lock);
    release(accts[id_from].lock);
}
```

Multiple Locks And Deadlock

Thread 0

```
id_from = 241;  
id_to = 37;
```

```
acquire(accts[241].lock);  
// wait to acquire lock  
  37  
// waiting..  
// still waiting...
```

Thread 1

```
id_from = 37;  
id_to = 241;
```

```
acquire(accts[37].lock);  
// wait to acquire lock 241  
// waiting..  
// ...
```

- **Deadlock:** circular wait for shared resources
 - Thread 0 has lock 241 waits for lock 37
 - Thread 1 has lock 37 waits for lock 241
 - Obviously this is a problem
 - The solution is ...

Correct Multiple Lock Program

- **Always acquire multiple locks in same order**
 - Just another thing to keep in mind when programming

```
struct acct_t { int bal, Lock_t lock; ... };
shared struct acct_t accts[MAX_ACCT];
void transfer(int id_from, int id_to, int amt) {
    int id_first = min(id_from, id_to);
    int id_second = max(id_from, id_to);

    acquire(accts[id_first].lock);
    acquire(accts[id_second].lock);
    if (accts[id_from].bal >= amt) {
        accts[id_from].bal -= amt;
        accts[id_to].bal += amt;
    }
    release(accts[id_second].lock);
    release(accts[id_first].lock);
}
```

Correct Multiple Lock Execution

Thread 0

```
id_from = 241;
id_to = 37;
id_first = min(241,37)=37;
id_second = max(37,241)=241;
```

```
acquire(accts[37].lock);
acquire(accts[241].lock);
// do stuff
release(accts[241].lock);
release(accts[37].lock);
```

Thread 1

```
id_from = 37;
id_to = 241;
id_first = min(37,241)=37;
id_second = max(37,241)=241;
```

```
// wait to acquire lock 37
// waiting...
// ...
// ...
// ...
acquire(accts[37].lock);
```

- Great, are we done? No

More Lock Madness

- What if...
 - Some actions (e.g., deposits, transfers) require 1 or 2 locks...
 - ...and others (e.g., prepare statements) require all of them?
 - Can these proceed in parallel?
- What if...
 - There are locks for global variables (e.g., operation id counter)?
 - When should operations grab this lock?
- What if... what if... what if...
- **So lock-based programming is difficult...**
- **...wait, it gets worse**

And To Make It Worse...

- **Acquiring locks is expensive...**
 - By definition requires a slow atomic instructions
 - Specifically, acquiring write permissions to the lock
 - Ordering constraints (see soon) make it even slower
- **...and 99% of the time un-necessary**
 - Most concurrent actions don't actually share data
 - You paying to acquire the lock(s) for no reason
- Fixing these problem is an area of active research
 - One proposed solution "Transactional Memory"

Research: Transactional Memory (TM)

- **Transactional Memory**
 - + Programming simplicity of coarse-grain locks
 - + Higher concurrency (parallelism) of fine-grain locks
 - Critical sections only serialized if data is actually shared
 - + No lock acquisition overhead
 - Hottest thing since sliced bread (or was a few years ago)
 - No fewer than nine research projects:
 - Brown, Stanford, MIT, Wisconsin, Texas, Rochester, Sun/Oracle, Intel
 - Penn, too

Transactional Memory: The Big Idea

- Big idea I: **no locks, just shared data**
 - Look ma, no locks
- Big idea II: **optimistic (speculative) concurrency**
 - Execute critical section speculatively, abort on conflicts
 - “Better to beg for forgiveness than to ask for permission”

```
struct acct_t { int bal; ... };
shared struct acct_t accts[MAX_ACCT];
void transfer(int id_from, int id_to, int amt) {
    begin_transaction();
    if (accts[id_from].bal >= amt) {
        accts[id_from].bal -= amt;
        accts[id_to].bal += amt;
    }
    end_transaction();
}
```


Transactional Memory: Read/Write Sets

- **Read set:** set of shared addresses critical section reads
 - Example: `accts[37].bal, accts[241].bal`
- **Write set:** set of shared addresses critical section writes
 - Example: `accts[37].bal, accts[241].bal`

```
struct acct_t { int bal; ... };
shared struct acct_t accts[MAX_ACCT];
void transfer(int id_from, int id_to, int amt) {
    begin_transaction();
    if (accts[id_from].bal >= amt) {
        accts[id_from].bal -= amt;
        accts[id_to].bal += amt;
    }
    end_transaction();
}
```

Transactional Memory: Begin

- **begin_transaction**
 - Take a local register checkpoint
 - Begin locally tracking read set (remember addresses you read)
 - See if anyone else is trying to write it
 - Locally buffer all of your writes (invisible to other processors)
- + **Local actions only: no lock acquire**

```
struct acct_t { int bal; ... };
shared struct acct_t accts[MAX_ACCT];
void transfer(int id_from, int id_to, int amt) {
    begin_transaction();
    if (accts[id_from].bal >= amt) {
        accts[id_from].bal -= amt;
        accts[id_to].bal += amt;
    }
    end_transaction();
}
```

Transactional Memory: End

- **end_transaction**
 - Check read set: is all data you read still valid (i.e., no writes to any)
 - Yes? Commit transactions: commit writes
 - No? Abort transaction: restore checkpoint

```
struct acct_t { int bal; ... };
shared struct acct_t accts[MAX_ACCT];
void transfer(int id_from, int id_to, int amt) {
    begin_transaction();
    if (accts[id_from].bal >= amt) {
        accts[id_from].bal -= amt;
        accts[id_to].bal += amt;
    }
    end_transaction();
}
```

Transactional Memory Implementation

- How are read-set/write-set implemented?
 - Track locations accessed using bits in the cache
- Read-set: additional “transactional read” bit per block
 - Set on reads between `begin_transaction` and `end_transaction`
 - Any other write to block with set bit → triggers abort
 - Flash cleared on transaction abort or commit
- Write-set: additional “transactional write” bit per block
 - Set on writes between `begin_transaction` and `end_transaction`
 - Before first write, if dirty, initiate writeback (“clean” the block)
 - Flash cleared on transaction commit
 - On transaction abort: blocks with set bit are invalidated

Transactional Execution

Thread 0

```
id_from = 241;
id_to = 37;

begin_transaction();
if(accts[241].bal > 100) {
    ...
    // write accts[241].bal
    // abort
```

Thread 1

```
id_from = 37;
id_to = 241;

begin_transaction();
if(accts[37].bal > 100) {
    accts[37].bal -= amt;
    accts[241].bal += amt;
}
end_transaction();
// no writes to accts[241].bal
// no writes to accts[37].bal
// commit
```

Transactional Execution II (More Likely)

Thread 0

```
id_from = 241;
id_to = 37;

begin_transaction();
if(accts[241].bal > 100) {
    accts[241].bal -= amt;
    acts[37].bal += amt;
}
end_transaction();
// no write to accts[240].bal
// no write to accts[37].bal
// commit
```

Thread 1

```
id_from = 450;
id_to = 118;

begin_transaction();
if(accts[450].bal > 100) {
    accts[450].bal -= amt;
    acts[118].bal += amt;
}
end_transaction();
// no write to accts[450].bal
// no write to accts[118].bal
// commit
```

- Critical sections execute in parallel

So, Let's Just Do Transactions?

- What if...
 - Read-set or write-set bigger than cache?
 - Transaction gets swapped out in the middle?
 - Transaction wants to do I/O or SYSCALL (not-abortable)?
- How do we transactify existing lock based programs?
 - Replace `acquire` with `begin_trans` does not always work
- Several different kinds of transaction semantics
 - Are transactions atomic relative to code outside of transactions?
- Do we want transactions in hardware or in software?
 - What we just saw is **hardware transactional memory (HTM)**
- That's what these research groups are looking at
 - Best-effort hardware TM: Azul systems, Sun's Rock processor

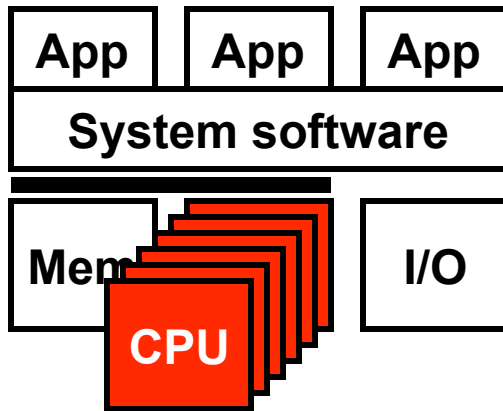
Speculative Lock Elision

Processor 0

```
acquire(accts[37].lock); // don't actually set lock to 1
// begin tracking read/write sets
// CRITICAL_SECTION
// check read set
// no conflicts? Commit, don't actually set lock to 0
// conflicts? Abort, retry by acquiring lock
release(accts[37].lock);
```

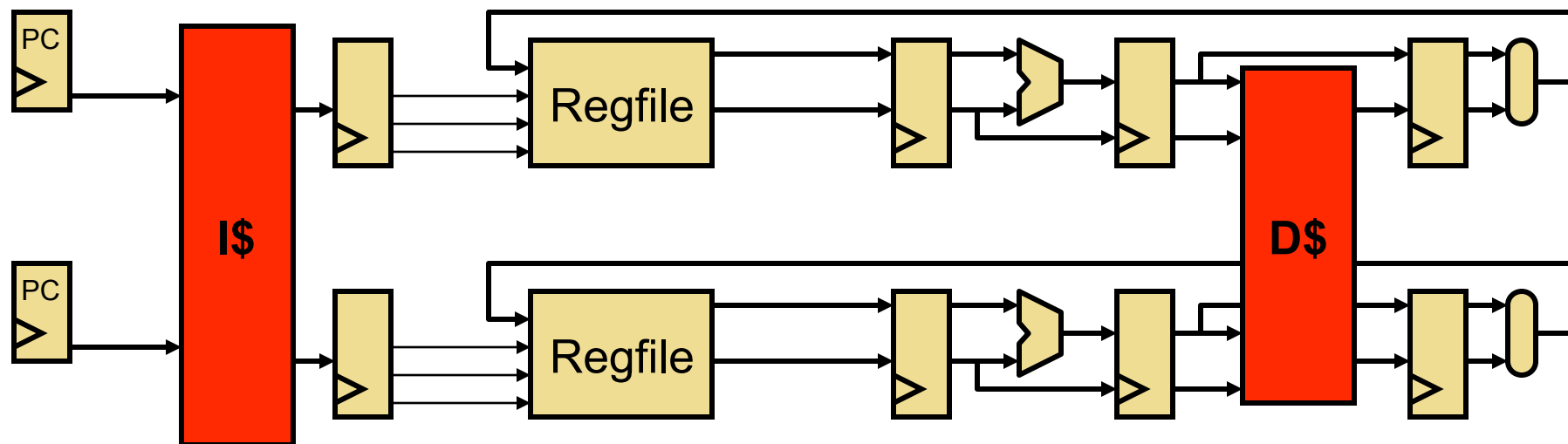
- Until TM interface solidifies...
- ... speculatively transactify lock-based programs in hardware
 - **Speculative Lock Elision (SLE)** [Rajwar+, MICRO'01]
 - Doesn't capture all advantages for transactional memory...
 - + No need to rewrite programs
 - + Can always fall back on lock-based execution (overflow, I/O, etc.)

Roadmap Checkpoint



- Thread-level parallelism (TLP)
- Shared memory model
 - Multiplexed uniprocessor
 - Hardware multithreading
 - Multiprocessing
- Synchronization
 - Lock implementation
 - Locking gotchas
- **Cache coherence**
 - **Bus-based protocols**
 - **Directory protocols**
- **Memory consistency models**

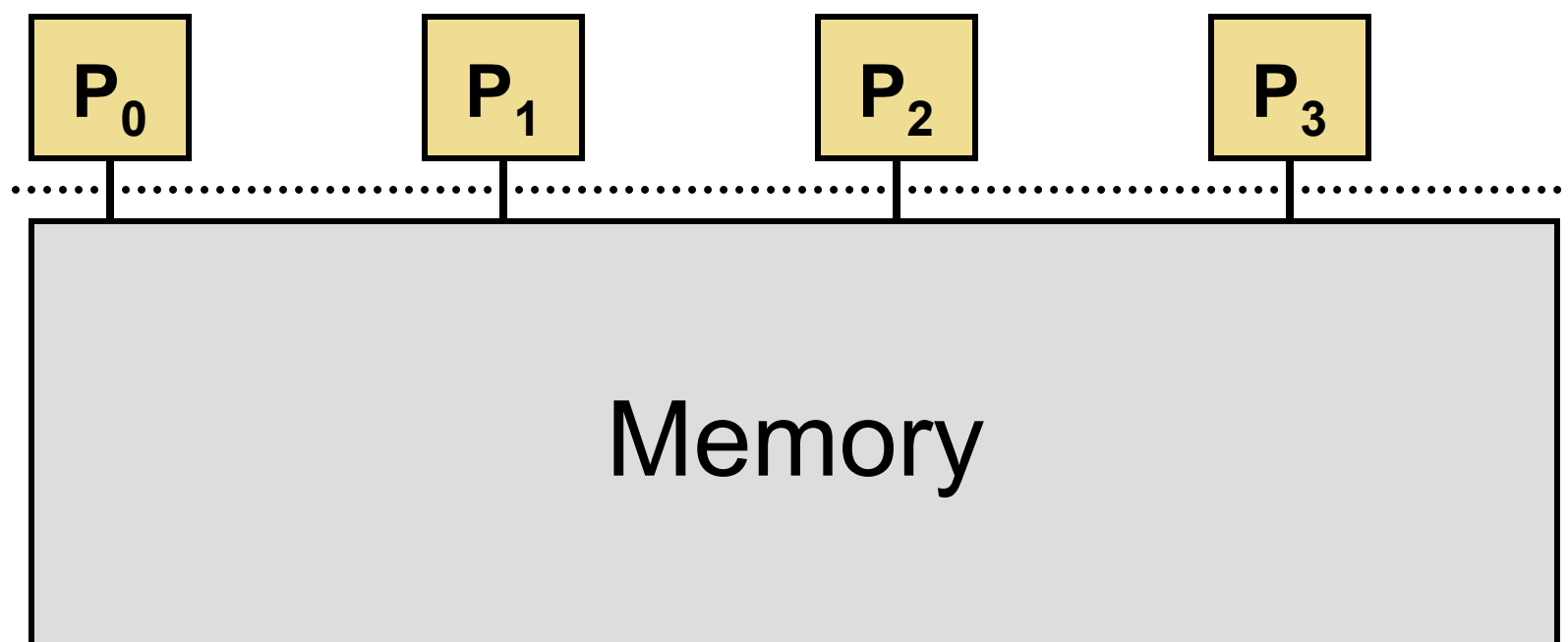
Recall: Simplest Multiprocessor



- What if we don't want to share the L1 caches?
 - Bandwidth and latency issue
- Solution: use per-processor ("private") caches
 - Coordinate them with a **Cache Coherence Protocol**

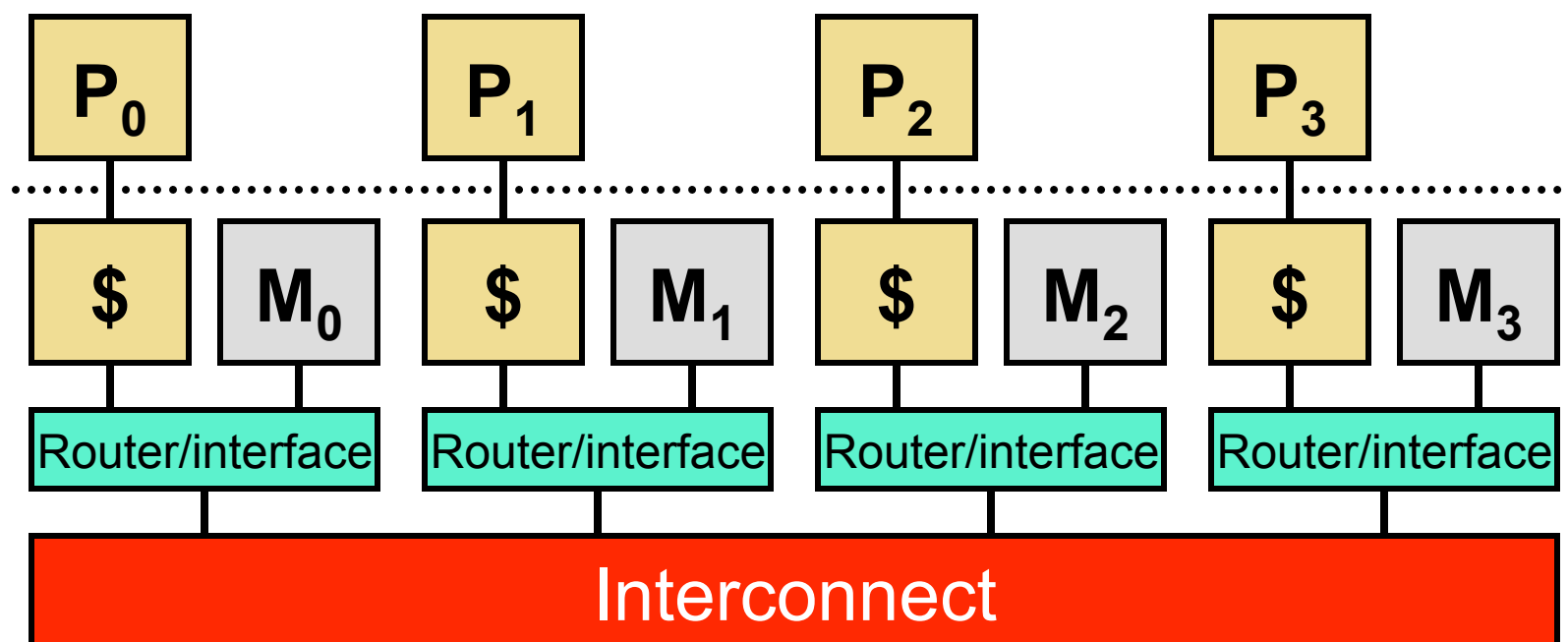
Shared-Memory Multiprocessors

- **Conceptual model**
 - The shared-memory abstraction
 - Familiar and feels natural to programmers
 - Life would be easy if systems actually looked like this...



Shared-Memory Multiprocessors

- ...but systems actually look more like this
 - Processors have caches
 - Memory may be physically distributed
 - Arbitrary interconnect



Revisiting Our Motivating Example

CPU0 CPU1 Mem

Processor 0

```
0: addi $r3,$r1,&accts
1: lw $r4,0($r3)
2: blt $r4,$r2,6
3: sub $r4,$r4,$r2
4: sw $r4,0($r3)
```

Processor 1

```
0: addi $r3,$r1,&accts
1: lw $r4,0($r3)
2: blt $r4,$r2,6
3: sub $r4,$r4,$r2
4: sw $r4,0($r3)
```

critical section
(locks not shown)

critical section
(locks not shown)

- Two \$100 withdrawals from account #241 at two ATMs
 - Each transaction maps to thread on different processor
 - Track `accts[241].bal` (address is in `$r3`)

No-Cache, No-Problem

Processor 0

0: `addi $r3,$r1,&accts`

1: `lw $r4,0($r3)` ←

2: `blt $r4,$r2,6`

3: `sub $r4,$r4,$r2`

4: `sw $r4,0($r3)` →

Processor 1

0: `addi $r3,$r1,&accts`

1: `lw $r4,0($r3)` ←

2: `blt $r4,$r2,6`

3: `sub $r4,$r4,$r2`

4: `sw $r4,0($r3)` →

CPU0	CPU1	Mem
		\$500
		\$500

		\$400
--	--	-------

		\$400
--	--	-------

		\$300
--	--	-------

- Scenario I: processors have no caches
 - No problem

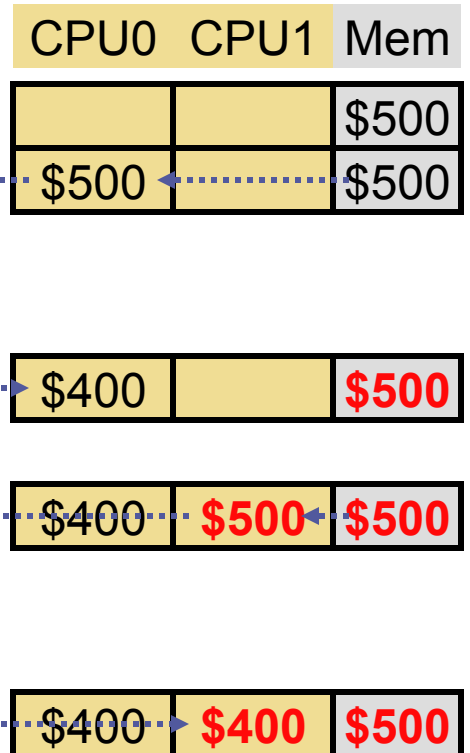
Cache Incoherence

Processor 0

```
0: addi $r3,$r1,&accts
1: lw $r4,0($r3)
2: blt $r4,$r2,6
3: sub $r4,$r4,$r2
4: sw $r4,0($r3)
```

Processor 1

```
0: addi $r3,$r1,&accts
1: lw $r4,0($r3)
2: blt $r4,$r2,6
3: sub $r4,$r4,$r2
4: sw $r4,0($r3)
```



- Scenario II(a): processors have write-back caches
 - Potentially 3 copies of `accts[241].bal`: memory, two caches
 - Can get incoherent (inconsistent)

Write-Through Doesn't Fix It

Processor 0

0: `addi $r3,$r1,&accts`

1: `lw $r4,0($r3)` ←

2: `blt $r4,$r2,6`

3: `sub $r4,$r4,$r2`

4: `sw $r4,0($r3)` →

Processor 1

0: `addi $r3,$r1,&accts`

1: `lw $r4,0($r3)` ←

2: `blt $r4,$r2,6`

3: `sub $r4,$r4,$r2`

4: `sw $r4,0($r3)` →

CPU0	CPU1	Mem
		\$500
\$500		\$500

\$400		\$400
-------	--	-------

\$400	\$400	\$400
-------	-------	-------

\$400	\$300	\$300
-------	-------	-------

- Scenario II(b): processors have write-through caches

- This time only two (different) copies of `accts[241].bal`

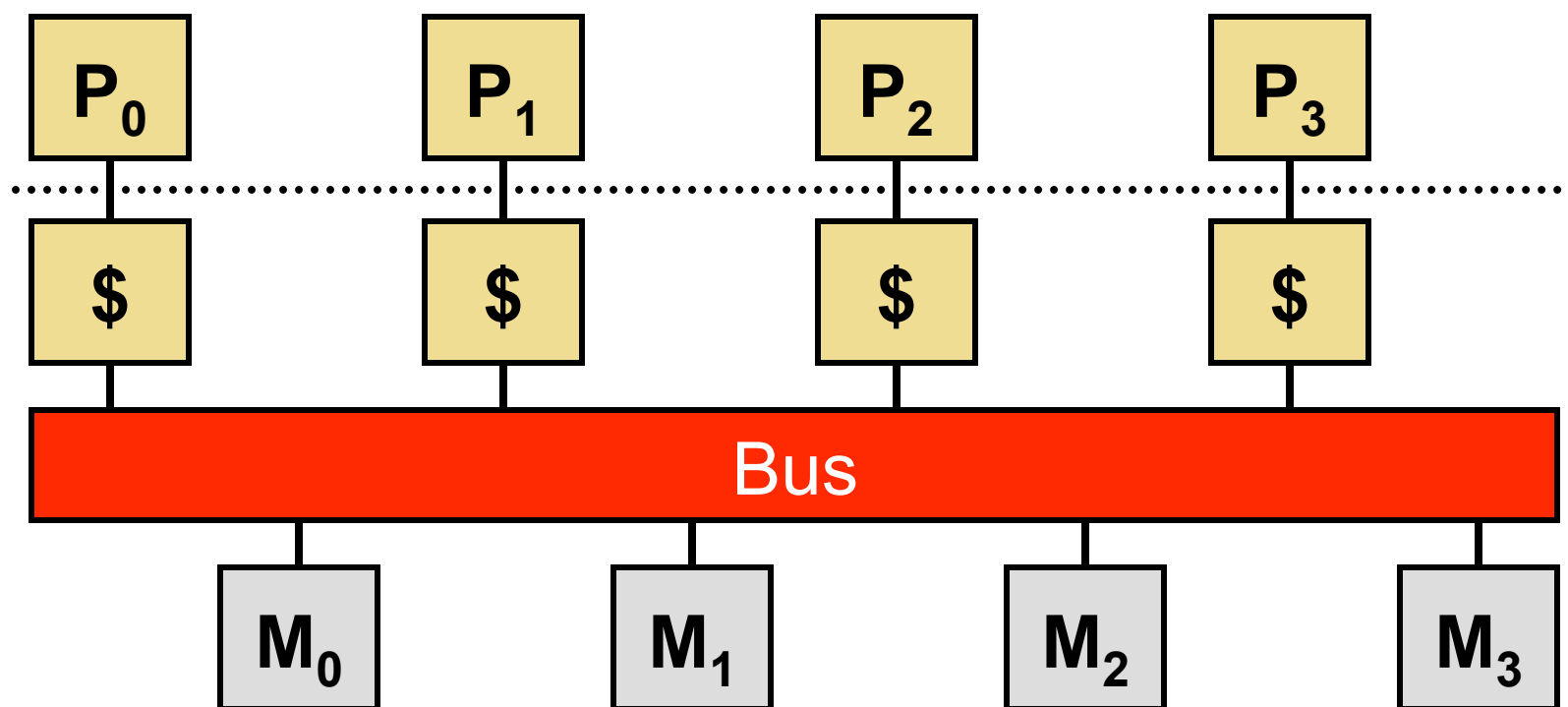
- No problem? What if another withdrawal happens on processor 0?

What To Do?

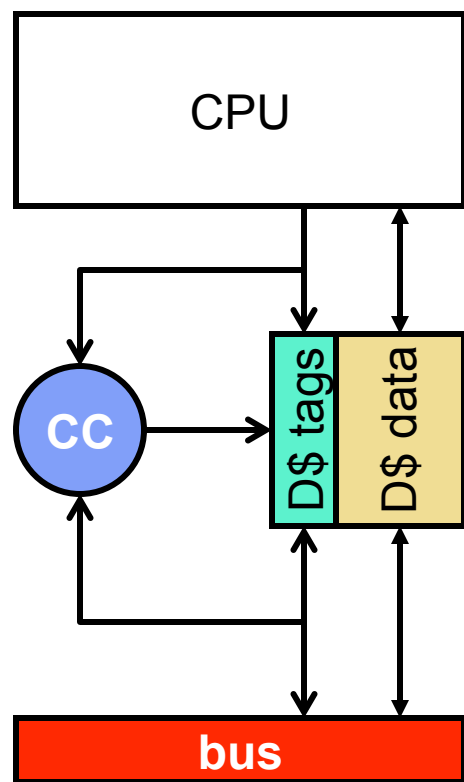
- No caches?
 - Too slow
- Make shared data uncachable?
 - Faster, but still too slow
 - Entire `accts` database is technically “shared”
- Flush all other caches on writes to shared data?
 - Can work well in some cases, but can make caches ineffective
- **Hardware cache coherence**
 - Rough goal: all caches have same data at all times
 - + Minimal flushing, maximum caching → best performance

Bus-based Multiprocessor

- Simple multiprocessors use a bus
 - **All** processors see **all requests** at the **same time**, same order
- Memory
 - Single memory module, **-or-**
 - Banked memory module

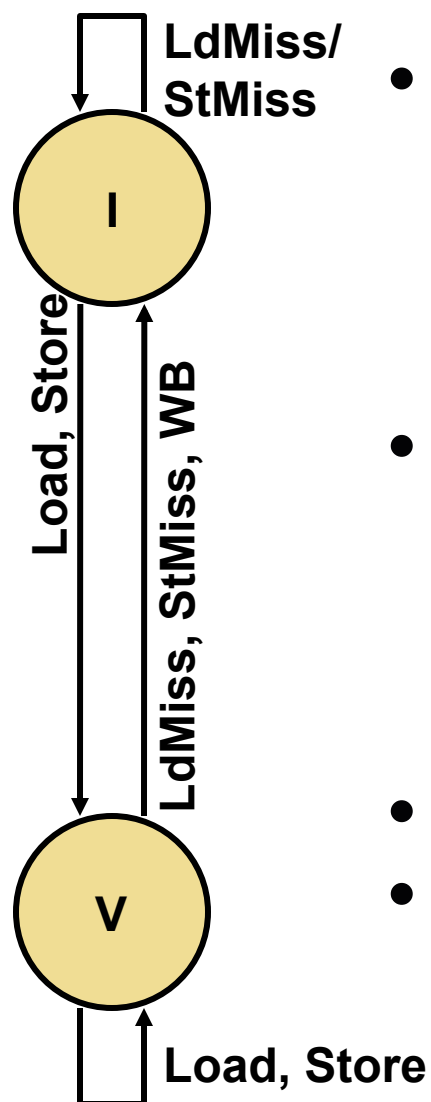


Hardware Cache Coherence



- **Coherence**
 - all copies have same data at all times
- **Coherence controller:**
 - Examines bus traffic (addresses and data)
 - Executes **coherence protocol**
 - What to do with local copy when you see different things happening on bus
- **Each processors runs a state machine**
- Three processor-initiated events
 - **Ld**: load **St**: store **WB**: write-back
- Two remote-initiated events
 - **LdMiss**: read miss from **another** processor
 - **StMiss**: write miss from **another** processor

VI (MI) Coherence Protocol



- **VI (valid-invalid) protocol:** aka “MI”
 - Two states (per block in cache)
 - **V (valid):** have block
 - **I (invalid):** don’t have block
 - + Can implement with valid bit
- Protocol diagram (left & next slide)
 - Summary
 - If anyone wants to read/write block
 - Give it up: transition to **I** state
 - Write-back if your own copy is dirty
- This is an **invalidate protocol**
- **Update protocol:** copy data, don’t invalidate
 - Sounds good, but uses too much bandwidth

VI Protocol State Transition Table

State	<i>This Processor</i>		<i>Other Processor</i>	
	Load	Store	Load Miss	Store Miss
Invalid (I)	Load Miss → V	Store Miss → V	---	---
Valid (V)	Hit	Hit	Send Data → I	Send Data → I

- Rows are "states"
 - I vs V
- Columns are "events"
 - Writeback events not shown
- Memory controller not shown
 - **Memory sends data when no processor responds**

VI Protocol (Write-Back Cache)

Processor 0

```
0: addi $r3,$r1,&accts
1: lw $r4,0($r3)
2: blt $r4,$r2,6
3: sub $r4,$r4,$r2
4: sw $r4,0($r3)
```

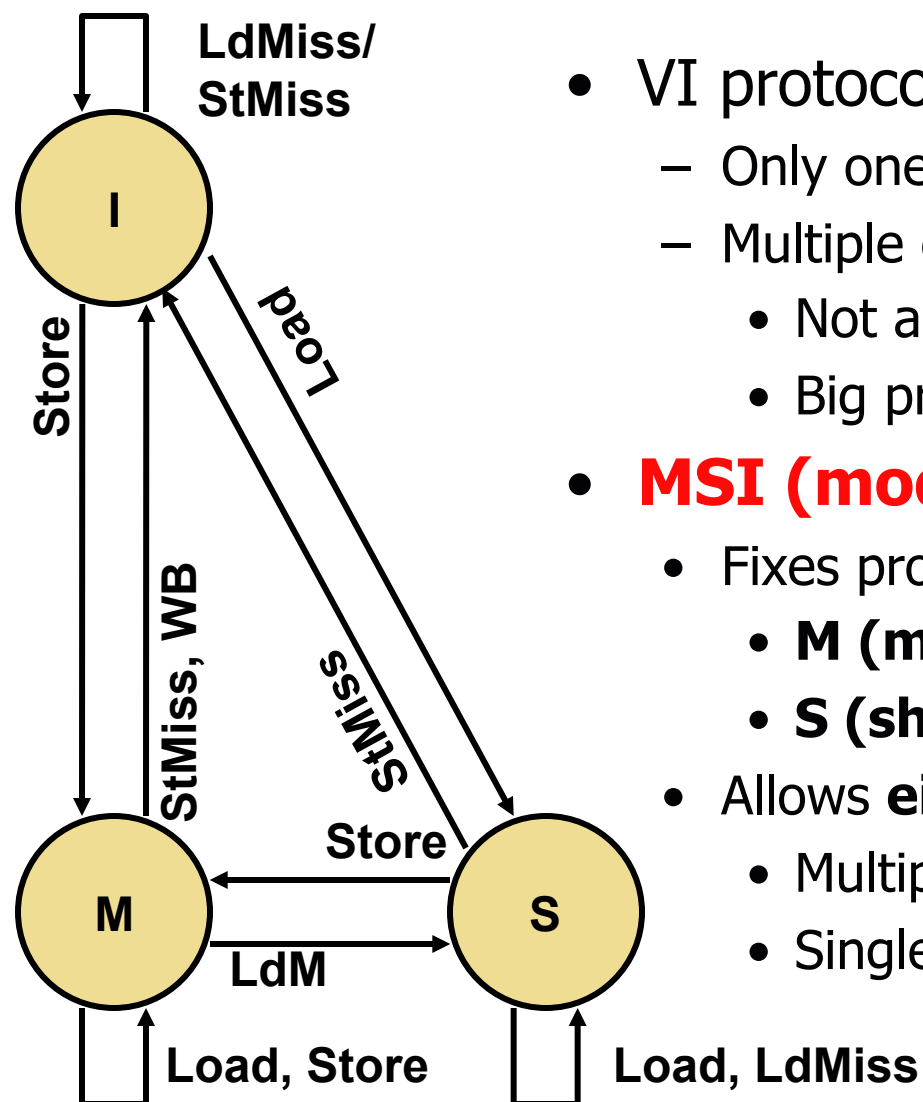
Processor 1

```
0: addi $r3,$r1,&accts
1: lw $r4,0($r3)
2: blt $r4,$r2,6
3: sub $r4,$r4,$r2
4: sw $r4,0($r3)
```

CPU0	CPU1	Mem
		500
V:500		500
V:400		500
I:	V:400	400
	V:300	400

- **lw** by processor 1 generates an “other load miss” event (LdMiss)
 - Processor 0 responds by sending its dirty copy, transitioning to **I**

VI → MSI



- VI protocol is inefficient
 - Only one cached copy allowed in entire system
 - Multiple copies can't exist even if read-only
 - Not a problem in example
 - Big problem in reality
- **MSI (modified-shared-invalid)**
 - Fixes problem: splits "V" state into two states
 - **M (modified)**: local dirty copy
 - **S (shared)**: local clean copy
 - Allows **either**
 - Multiple read-only copies (S-state) **--OR--**
 - Single read/write copy (M-state)

MSI Protocol State Transition Table

State	<i>This Processor</i>		<i>Other Processor</i>	
	Load	Store	Load Miss	Store Miss
Invalid (I)	Load Miss → S	Store Miss → M	---	---
Shared (S)	Hit	Upgrade Miss → M	---	→ I
Modified (M)	Hit	Hit	Send Data → S	Send Data → I

- M → S transition also updates memory
 - After which memory will respond (as all processors will be in S)

MSI Protocol (Write-Back Cache)

Processor 0

```
0: addi $r3,$r1,&accts
1: lw $r4,0($r3)
2: blt $r4,$r2,6
3: sub $r4,$r4,$r2
4: sw $r4,0($r3)
```

Processor 1

```
0: addi $r3,$r1,&accts
1: lw $r4,0($r3)
2: blt $r4,$r2,6
3: sub $r4,$r4,$r2
4: sw $r4,0($r3)
```

CPU0	CPU1	Mem
		500
S:500		500

M:400		500
-------	--	------------

S:400	S:400	400
-------	-------	-----

I:	M:300	400
----	-------	------------

- **lw** by processor 1 generates a “other load miss” event (LdMiss)
 - Processor 0 responds by sending its dirty copy, transitioning to **S**
- **sw** by processor 1 generates a “other store miss” event (StMiss)
 - Processor 0 responds by transitioning to **I**

Cache Coherence and Cache Misses

- Coherence introduces two new kinds of cache misses
 - **Upgrade miss**
 - On stores to read-only blocks
 - Delay to acquire write permission to read-only block
 - **Coherence miss**
 - Miss to a block evicted by another processor's requests
- Making the cache larger...
 - Doesn't reduce these type of misses
 - So, as cache grows large, these sorts of misses dominate
- **False sharing**
 - Two or more processors sharing parts of the same block
 - But *not* the same bytes within that block (no actual sharing)
 - Creates pathological "ping-pong" behavior
 - Careful data placement may help, but is difficult

Exclusive Clean Protocol Optimization

Processor 0

```
0: addi $r3,$r1,&accts
1: lw $r4,0($r3)
2: blt $r4,$r2,6
3: sub $r4,$r4,$r2
4: sw $r4,0($r3)
```

Processor 1

```
0: addi $r3,$r1,&accts
1: lw $r4,0($r3)
2: blt $r4,$r2,6
3: sub $r4,$r4,$r2
4: sw $r4,0($r3)
```

(No miss!)

CPU0	CPU1	Mem
		500
E:500		500

M:400		500
-------	--	-----

S:400	S:400	400
-------	-------	-----

I:	M:300	400
----	-------	-----

- Most modern protocols also include **E (exclusive)** state
 - Interpretation: "I have the only cached copy, and it's a **clean** copy"
 - Why would this state be useful?

MESI Protocol State Transition Table

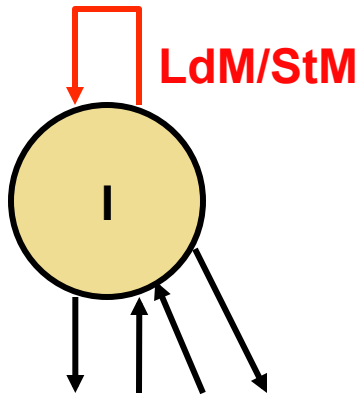
State	<i>This Processor</i>		<i>Other Processor</i>	
	Load	Store	Load Miss	Store Miss
Invalid (I)	Miss → S or E	Miss → M	---	---
Shared (S)	Hit	Upg Miss → M	---	→ I
Exclusive (E)	Hit	Hit → M	Send Data → S	Send Data → I
Modified (M)	Hit	Hit	Send Data → S	Send Data → I

- **Load misses lead to "E" if no other processors is caching the block**

Snooping Bandwidth Scaling Problems

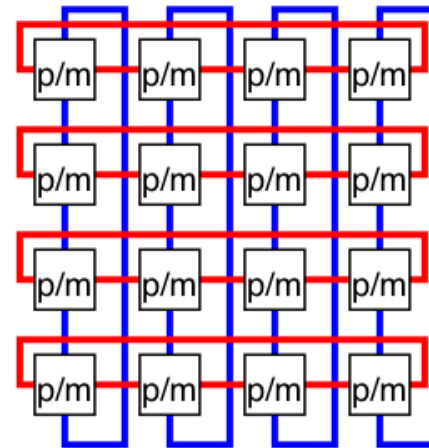
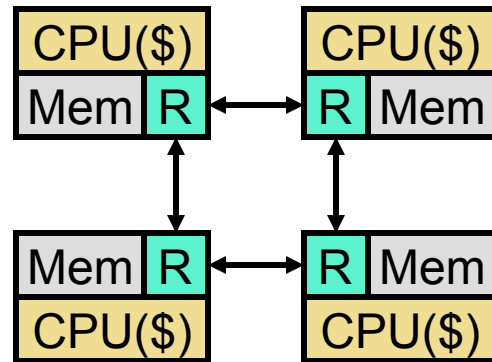
- Coherence events generated on...
 - L2 misses (and writebacks)
- Problem#1: **N^2 bus traffic**
 - All N processors send their misses to all N-1 other processors
 - Assume: 2 IPC, 2 Ghz clock, 0.01 misses/insn **per processor**
 - $0.01 \text{ misses/insn} * 2 \text{ insn/cycle} * 2 \text{ cycle/ns} * 64 \text{ B blocks}$
= 2.56 GB/s... per processor
 - With 16 processors, that's 40 GB/s! With 128 that's 320 GB/s!!
 - You can use multiple buses... but that complicates the protocol
- Problem#2: **N^2 processor snooping bandwidth**
 - $0.01 \text{ events/insn} * 2 \text{ insn/cycle} = 0.02 \text{ events/cycle}$ per processor
 - 16 processors: 0.32 bus-side tag lookups per cycle
 - Add 1 extra port to cache tags? Okay
 - 128 processors: 2.56 tag lookups per cycle! 3 extra tag ports?

“Scalable” Cache Coherence



- Part I: **bus bandwidth**
 - Replace non-scalable bandwidth substrate (bus)...
 - ...with scalable one (point-to-point network, e.g., mesh)
- Part II: **processor snooping bandwidth**
 - Most snoops result in no action
 - Replace non-scalable broadcast protocol...
 - ...with scalable **directory protocol** (only notify processors that care)

Point-to-Point Interconnects

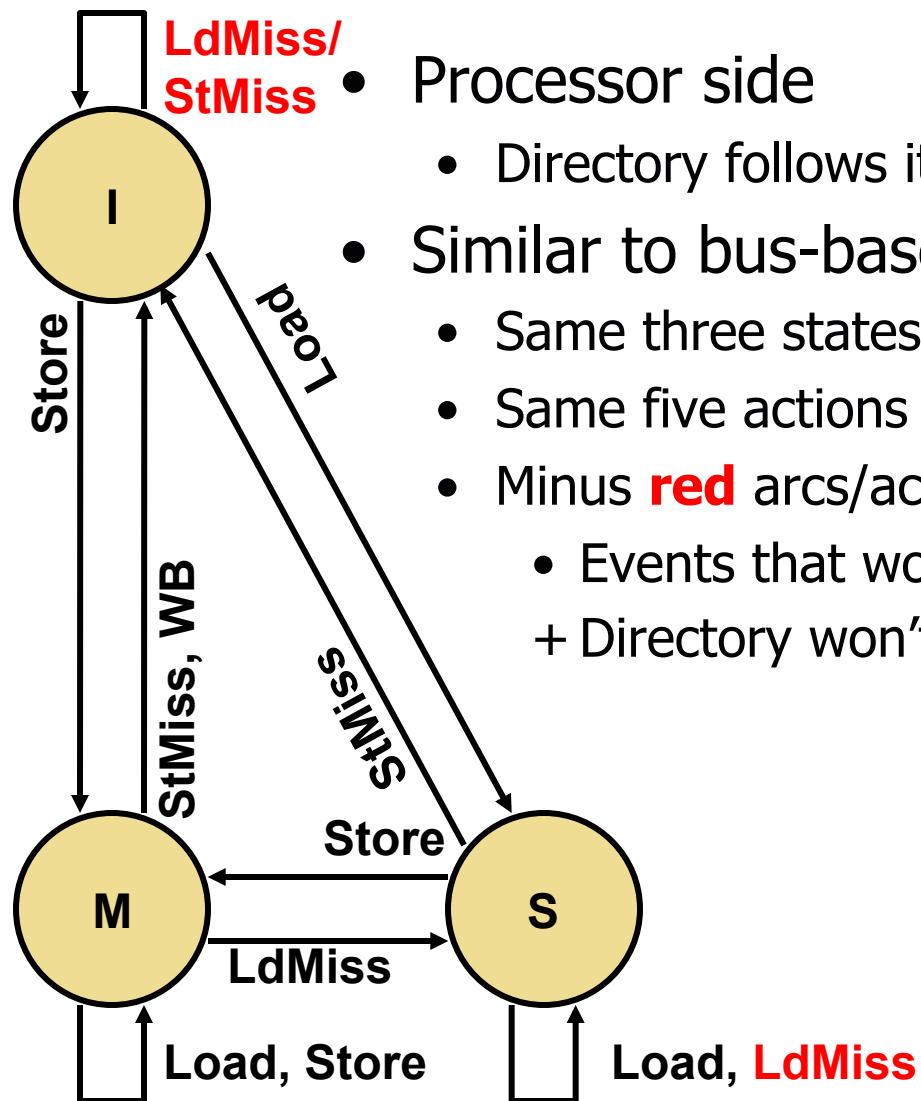


- + Can be arbitrarily large: 1000's of processors
 - **Massively parallel processors (MPPs)**
 - Only scientists & government (DoD & DoE) have MPPs...
- Companies have much smaller systems: 32–64 processors
 - **Scalable multi-processors**
- Distributed memory: non-uniform memory architecture (NUMA)
- Multicore: on-chip mesh interconnection networks
 - Each node: a core, L1/L2 caches, and a "bank" (1/nth) of the L3 cache
 - Multiple memory controllers (which talk to off-chip DRAM)

Directory Coherence Protocols

- Observe: address space statically partitioned
 - + Can easily determine which memory module holds a given line
 - That memory module sometimes called "**home**"
 - Can't easily determine which processors have line in their caches
 - Bus-based protocol: broadcast events to all processors/caches
 - ± Simple and fast, but non-scalable
- **Directories**: non-broadcast coherence protocol
 - Extend memory to track caching information
 - For each physical cache line whose home this is, track:
 - **Owner**: which processor has a dirty copy (I.e., M state)
 - **Sharers**: which processors have clean copies (I.e., S state)
 - Processor sends coherence event to "home" (directory)
 - Home directory sends events only to processors **as needed**
 - For multicore with shared L3 cache, put directory info in cache tags

MSI Directory Protocol



- Processor side
 - Directory follows its own protocol
- Similar to bus-based MSI
 - Same three states
 - Same five actions (keep BR/BW names)
 - Minus **red** arcs/actions
 - Events that would not trigger action anyway
 - + Directory won't bother you unless you need to act

MSI Directory Protocol

Processor 0

0: `addi r1,accts,r3`

1: `ld 0(r3),r4`

2: `blt r4,r2,done`

3: `sub r4,r2,r4`

4: `st r4,0(r3)`

Processor 1

0: `addi r1,accts,r3`

1: `ld 0(r3),r4`

2: `blt r4,r2,done`

3: `sub r4,r2,r4`

4: `st r4,0(r3)`

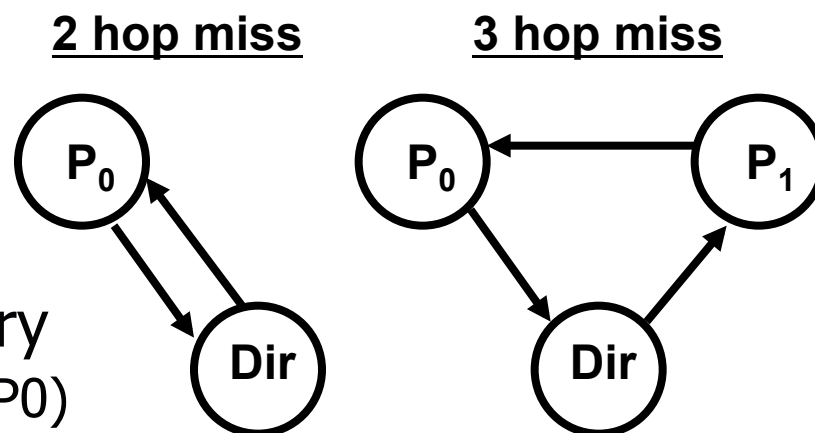
P0	P1	Directory
		—:—:500
S:500		S:0:500
M:400		M:0:500 (stale)
S:400	S:400	S:0,1:400
	M:300	M:1:400

- `ld` by P1 sends BR to directory
 - Directory sends BR to P0, P0 sends P1 data, does WB, goes to **S**
- `st` by P1 sends BW to directory
 - Directory sends BW to P0, P0 goes to **I**

Directory Flip Side: Latency

- Directory protocols
 - + Lower bandwidth consumption → more scalable
 - Longer latencies

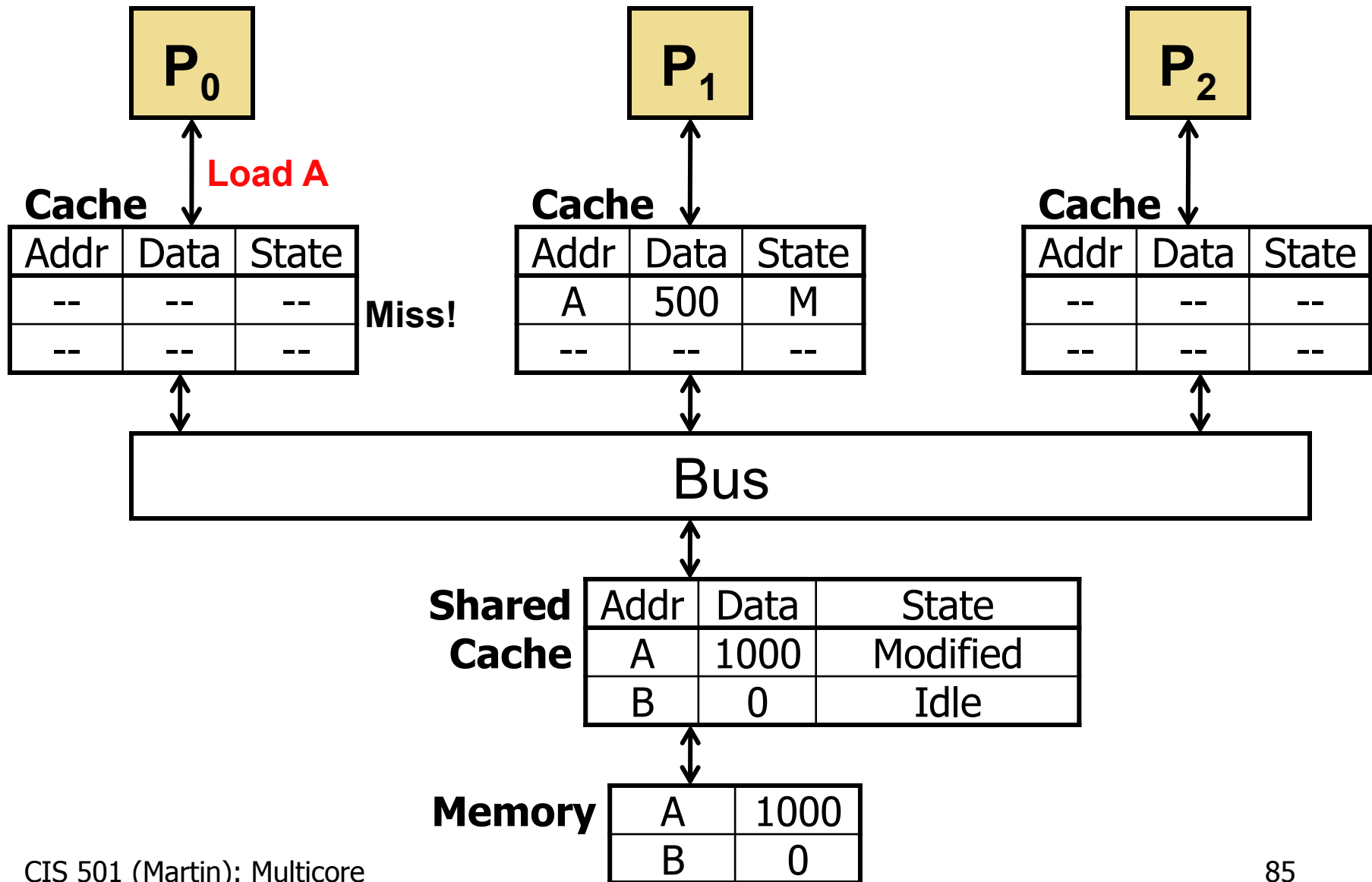
- Two read miss situations



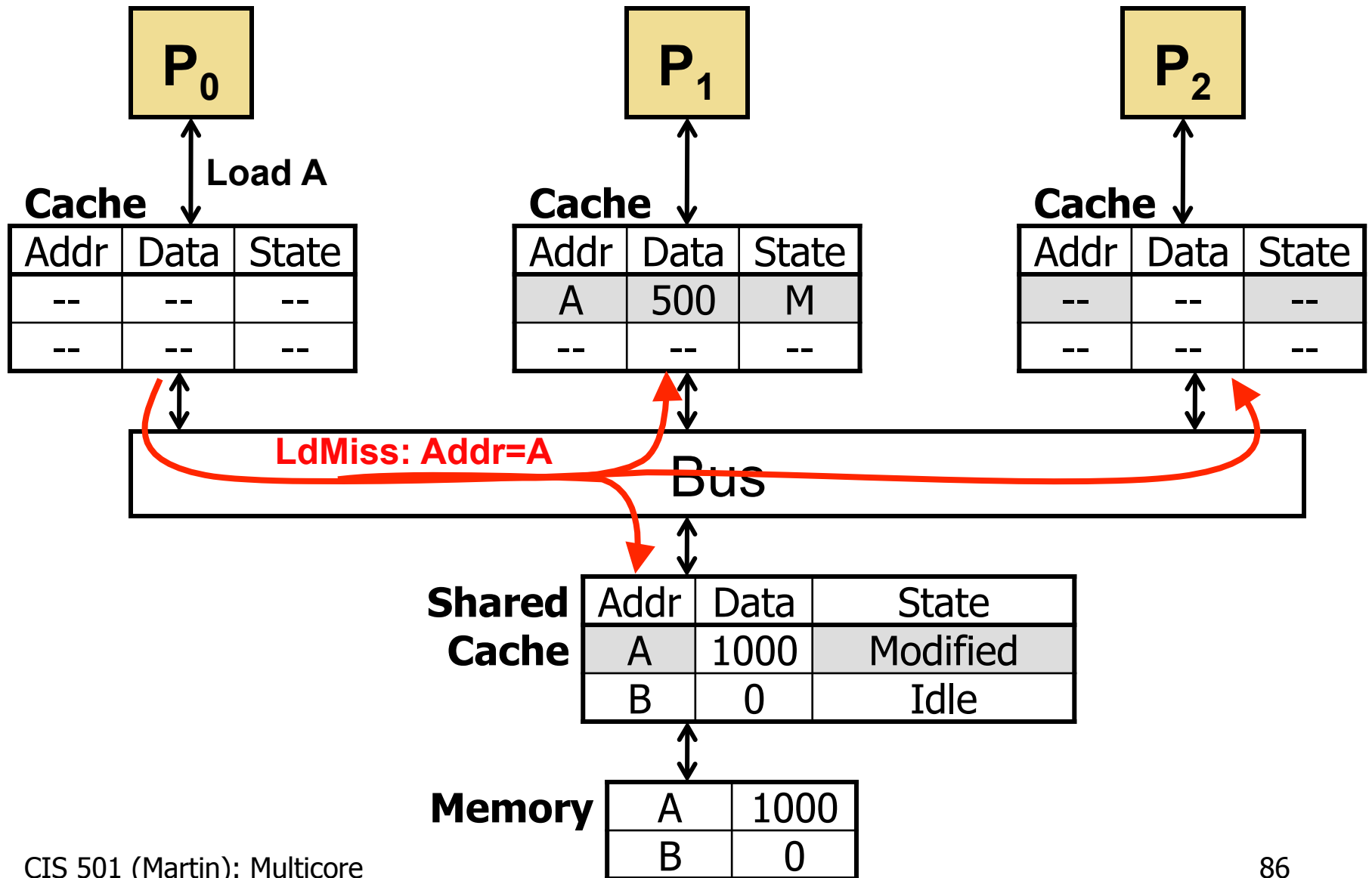
- Unshared: get data from memory
 - Snooping: 2 hops (P₀→memory→P₀)
 - Directory: 2 hops (P₀→memory→P₀)
- Shared or exclusive: get data from other processor (P₁)
 - Assume cache-to-cache transfer optimization
 - Snooping: 2 hops (P₀→P₁→P₀)
 - Directory: **3 hops** (P₀→memory→P₁→P₀)
 - Common, with many processors high probability someone has it

-
- This slide intentionally blank

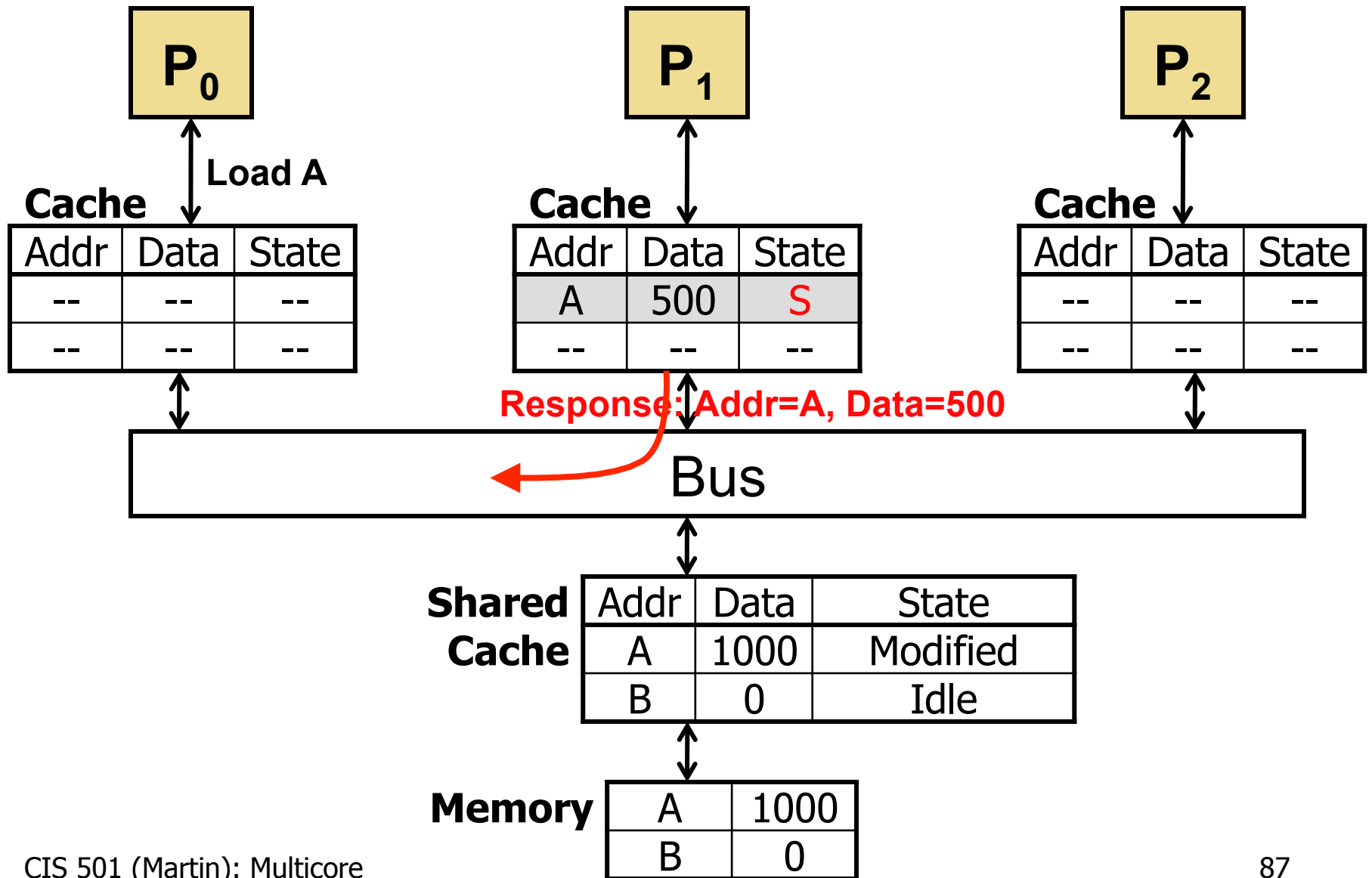
Snooping Example: Step #1



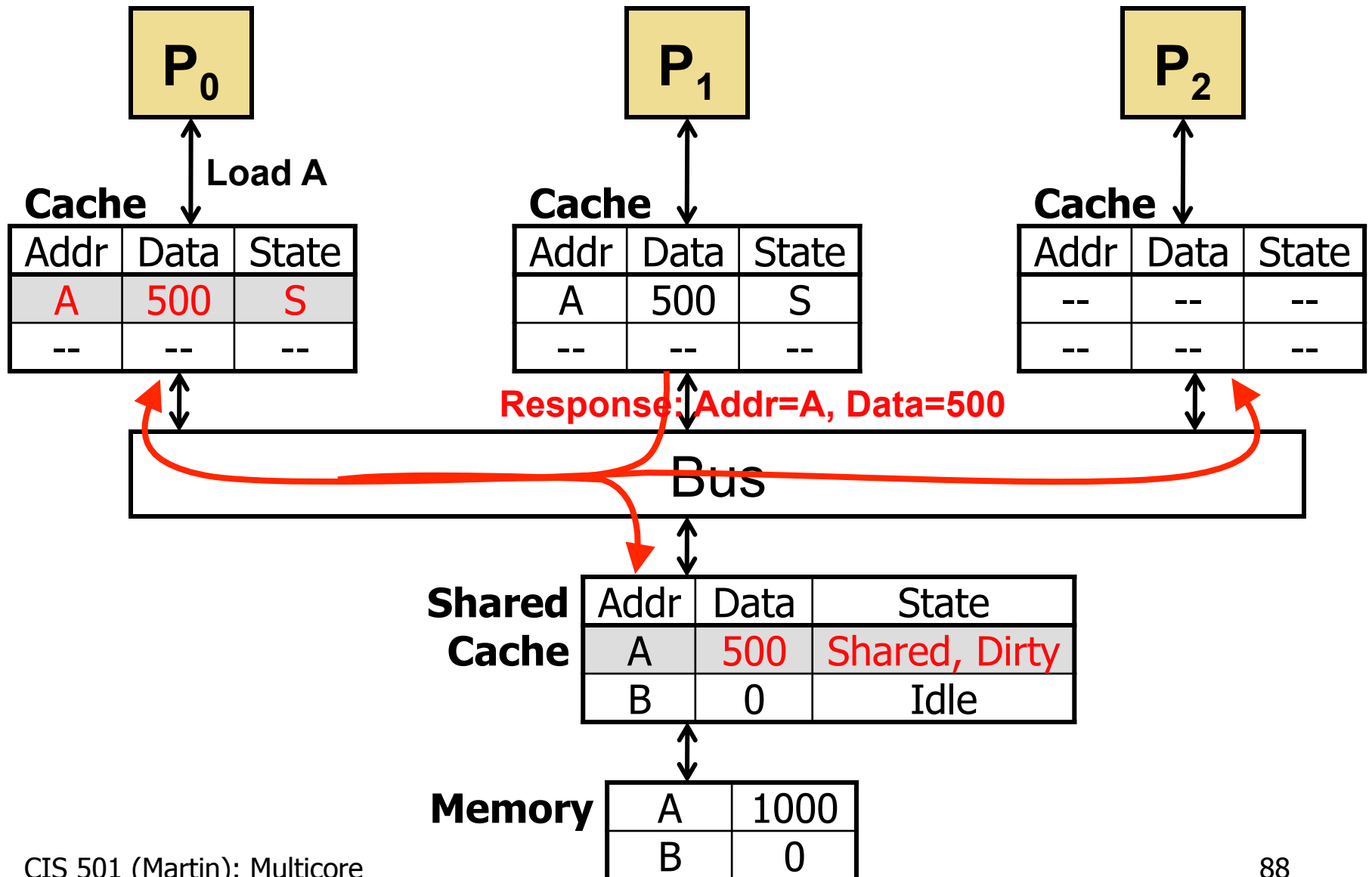
Snooping Example: Step #2



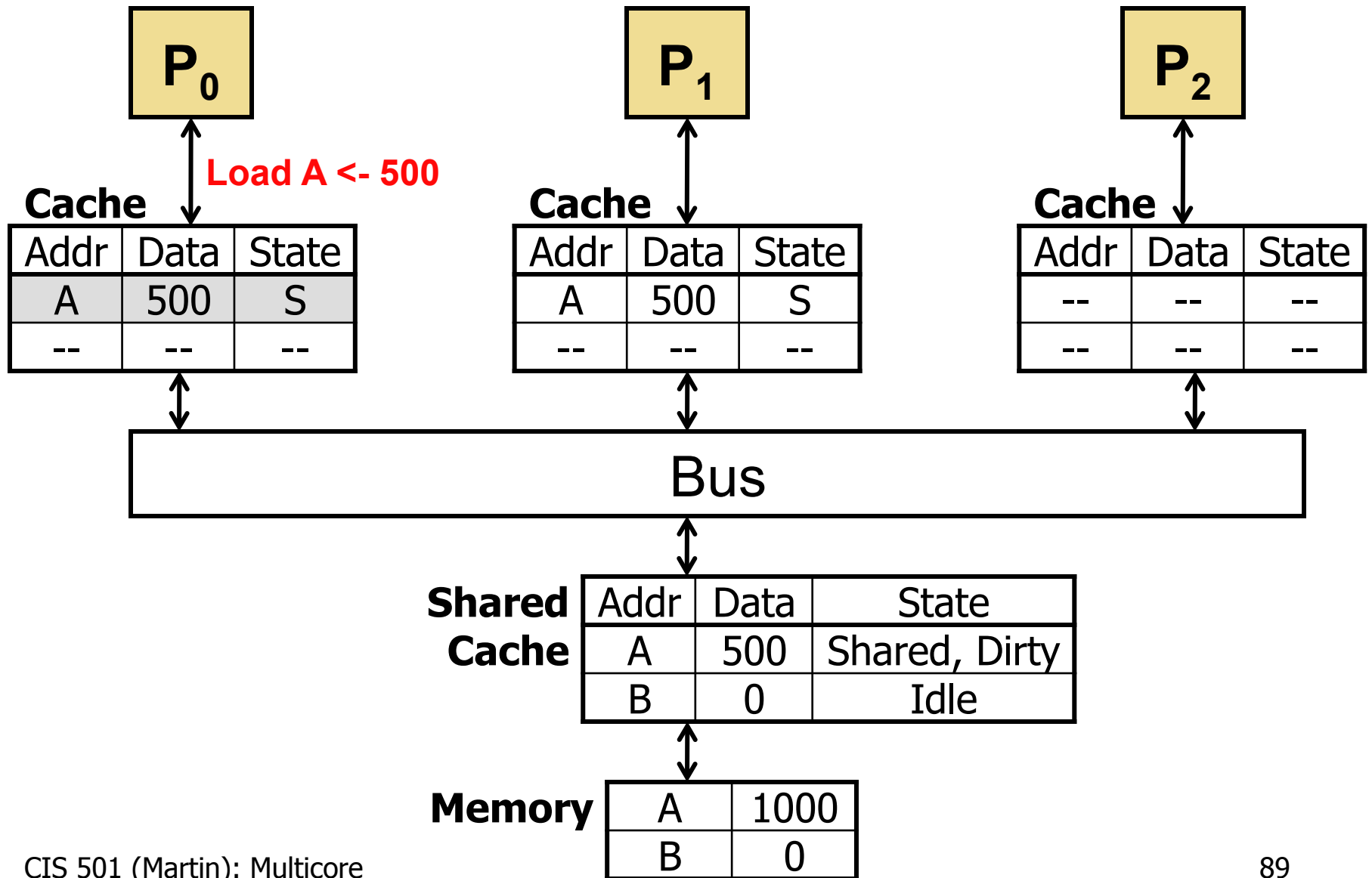
Snooping Example: Step #3



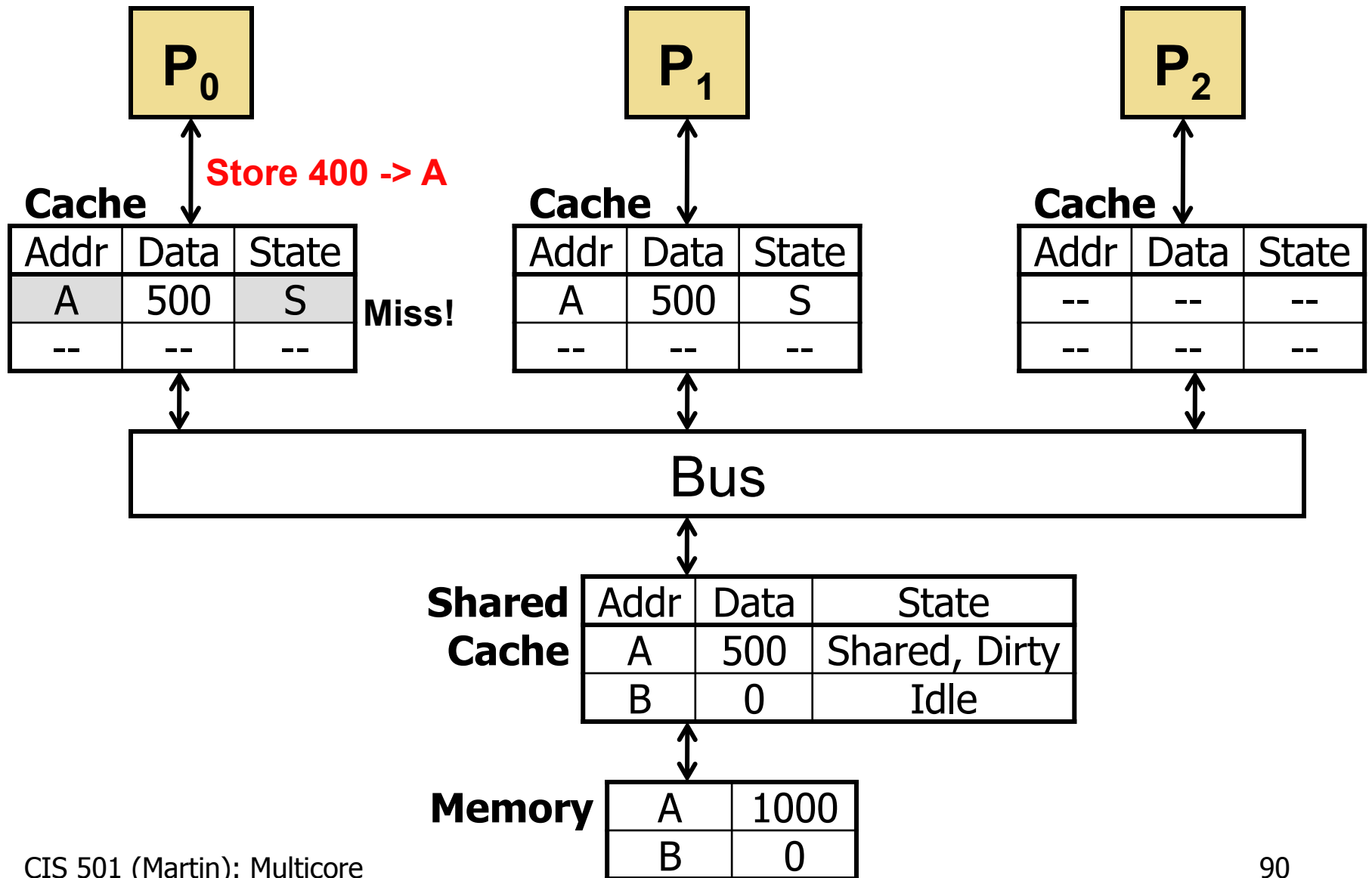
Snooping Example: Step #4



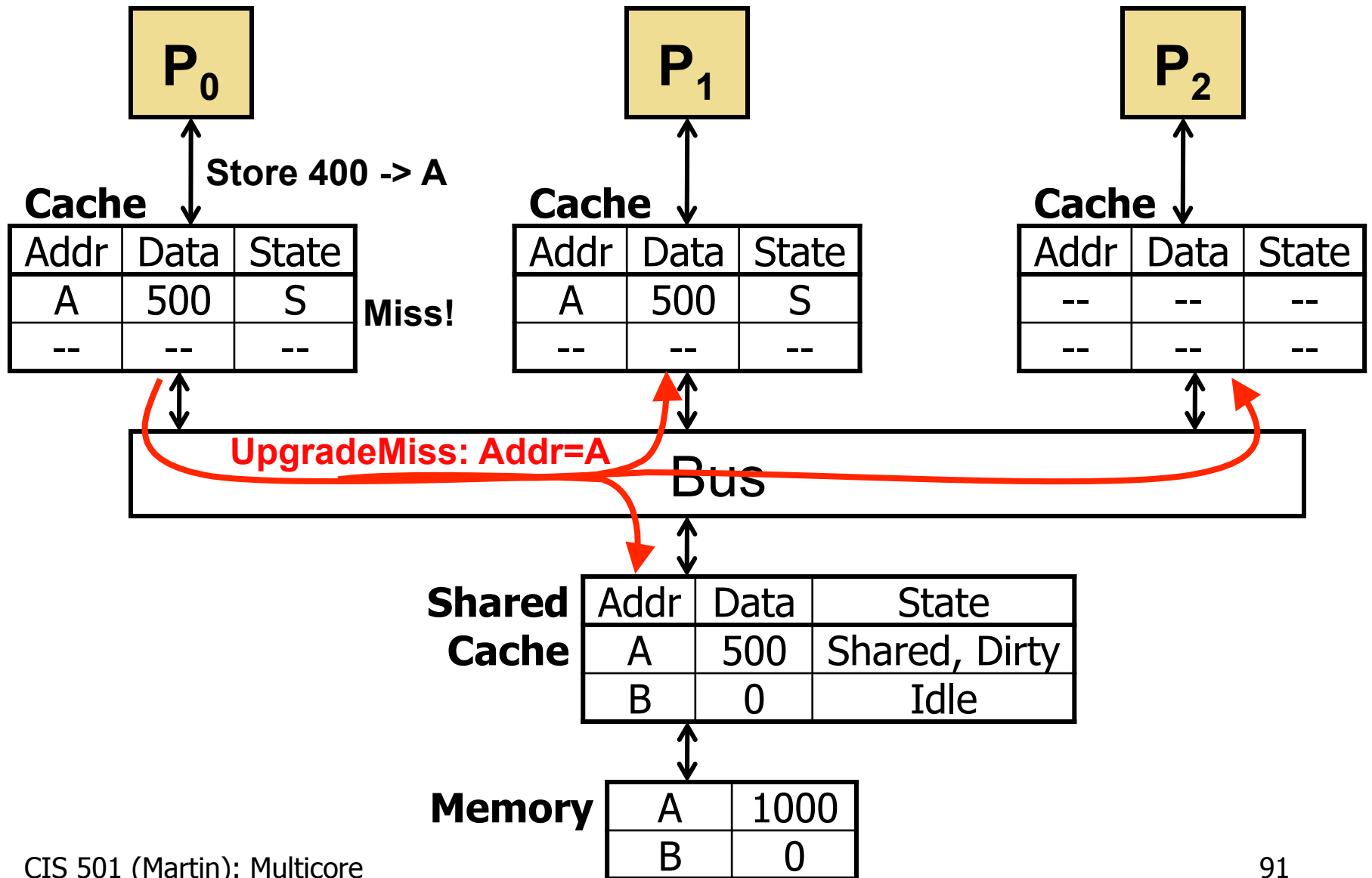
Snooping Example: Step #5



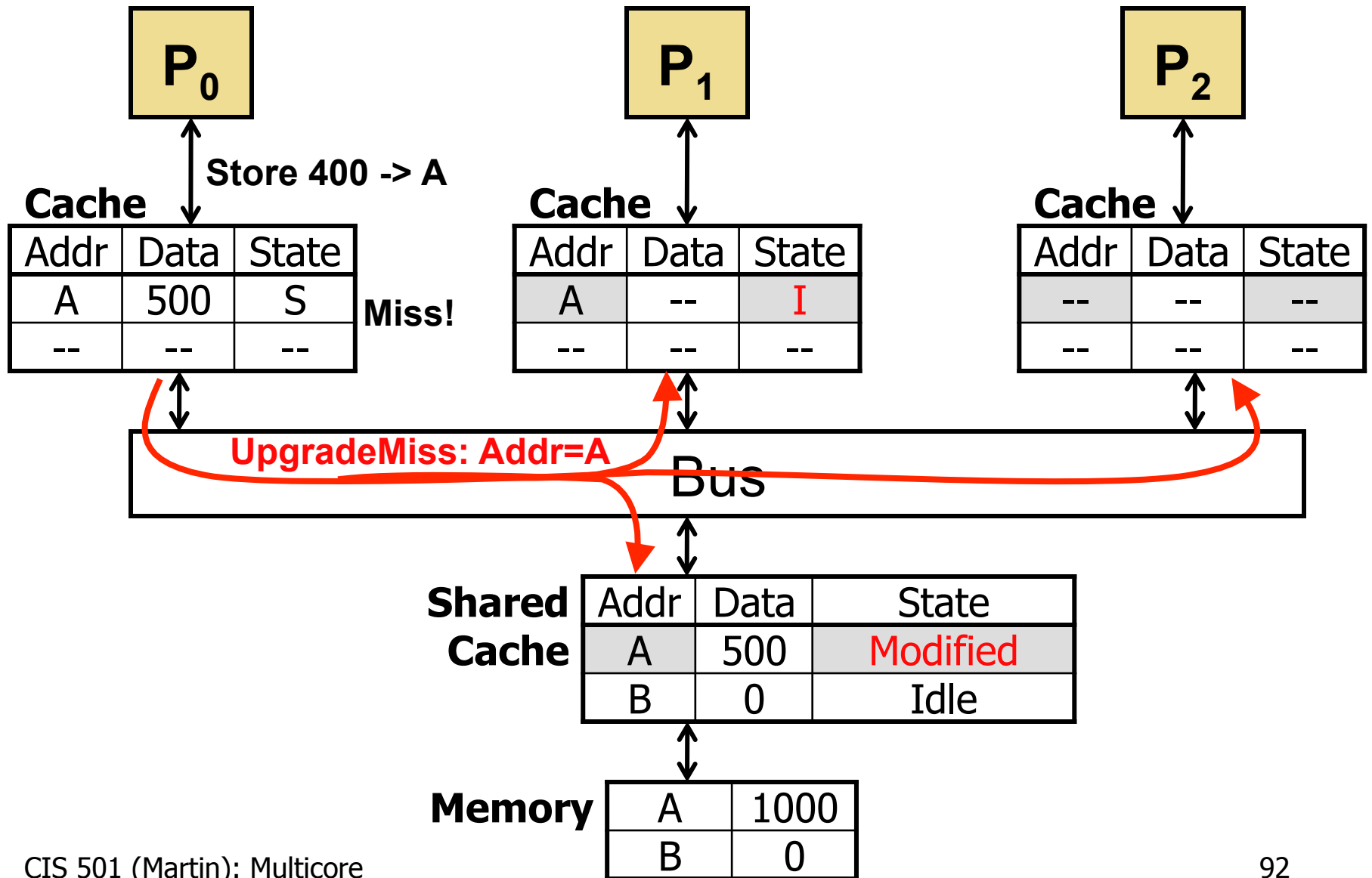
Snooping Example: Step #6



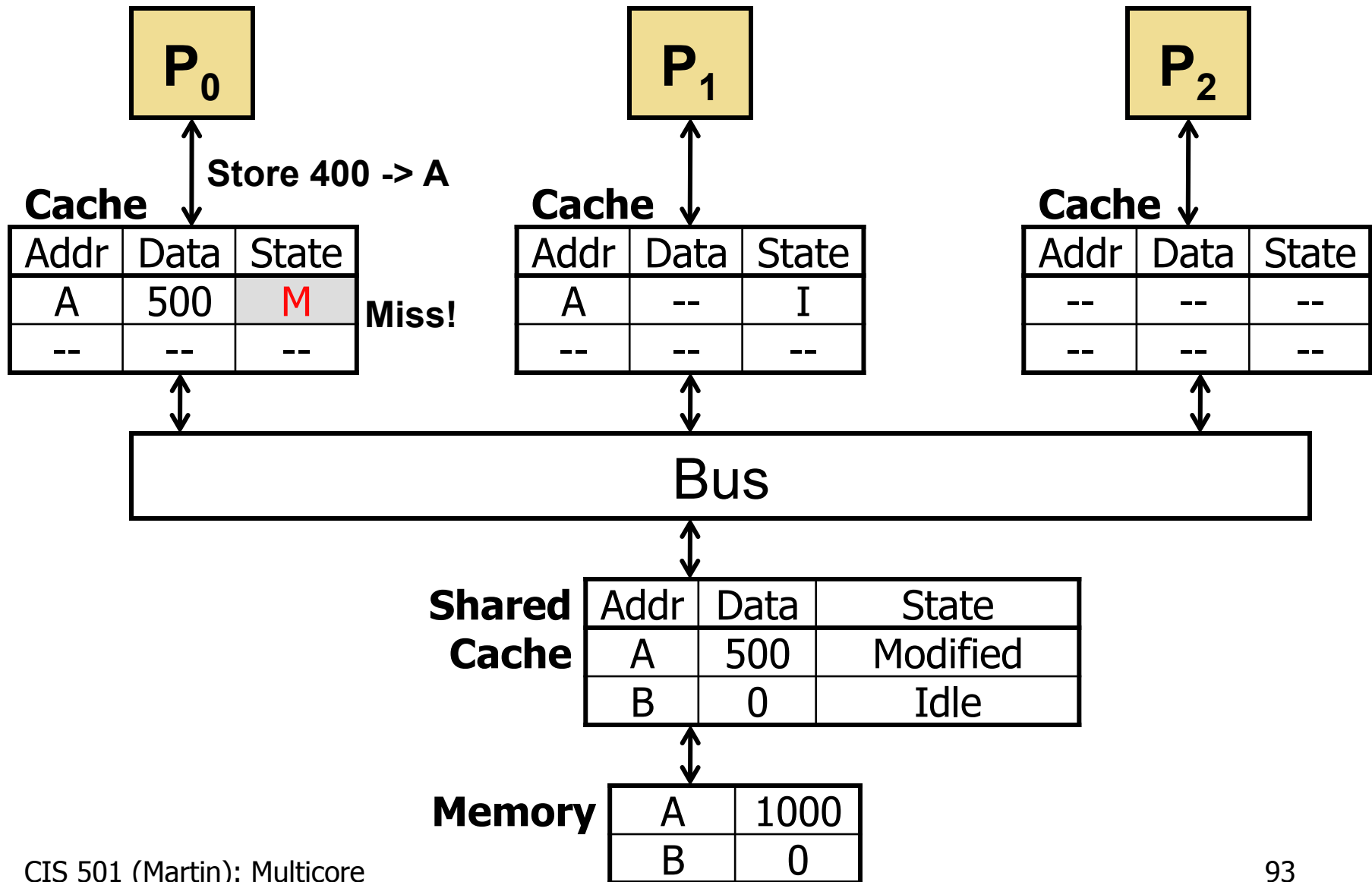
Snooping Example: Step #7



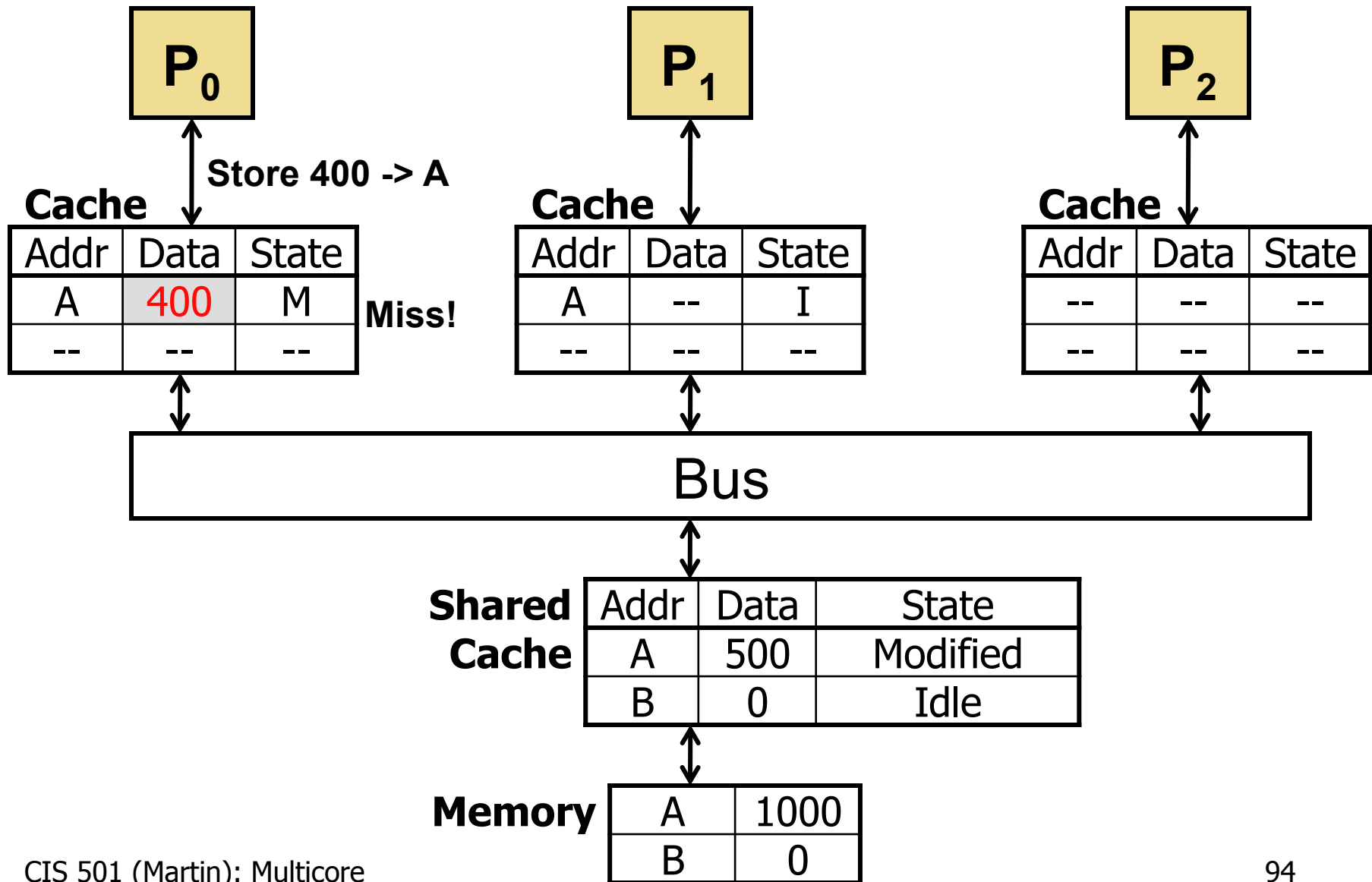
Snooping Example: Step #8



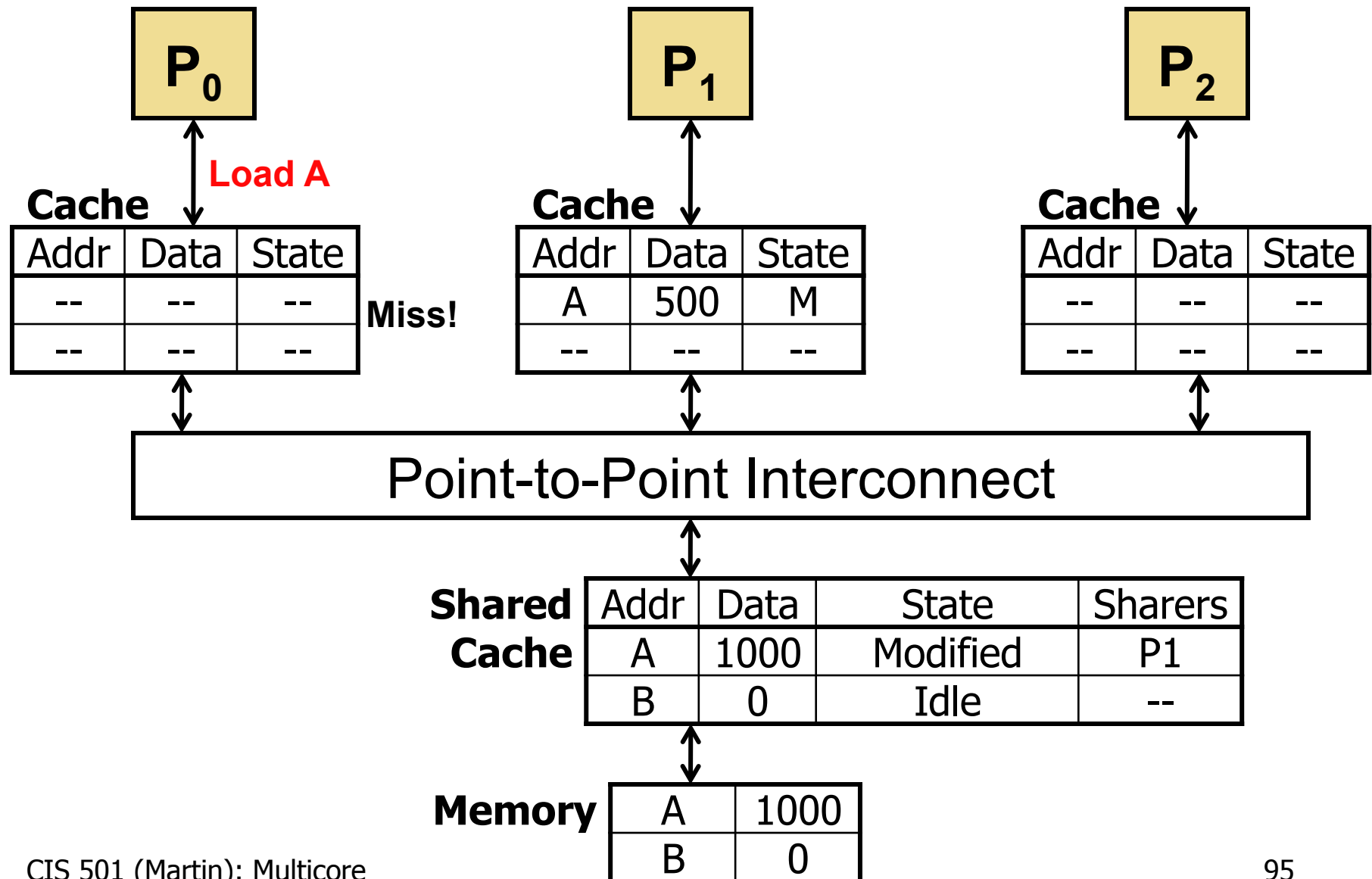
Snooping Example: Step #9



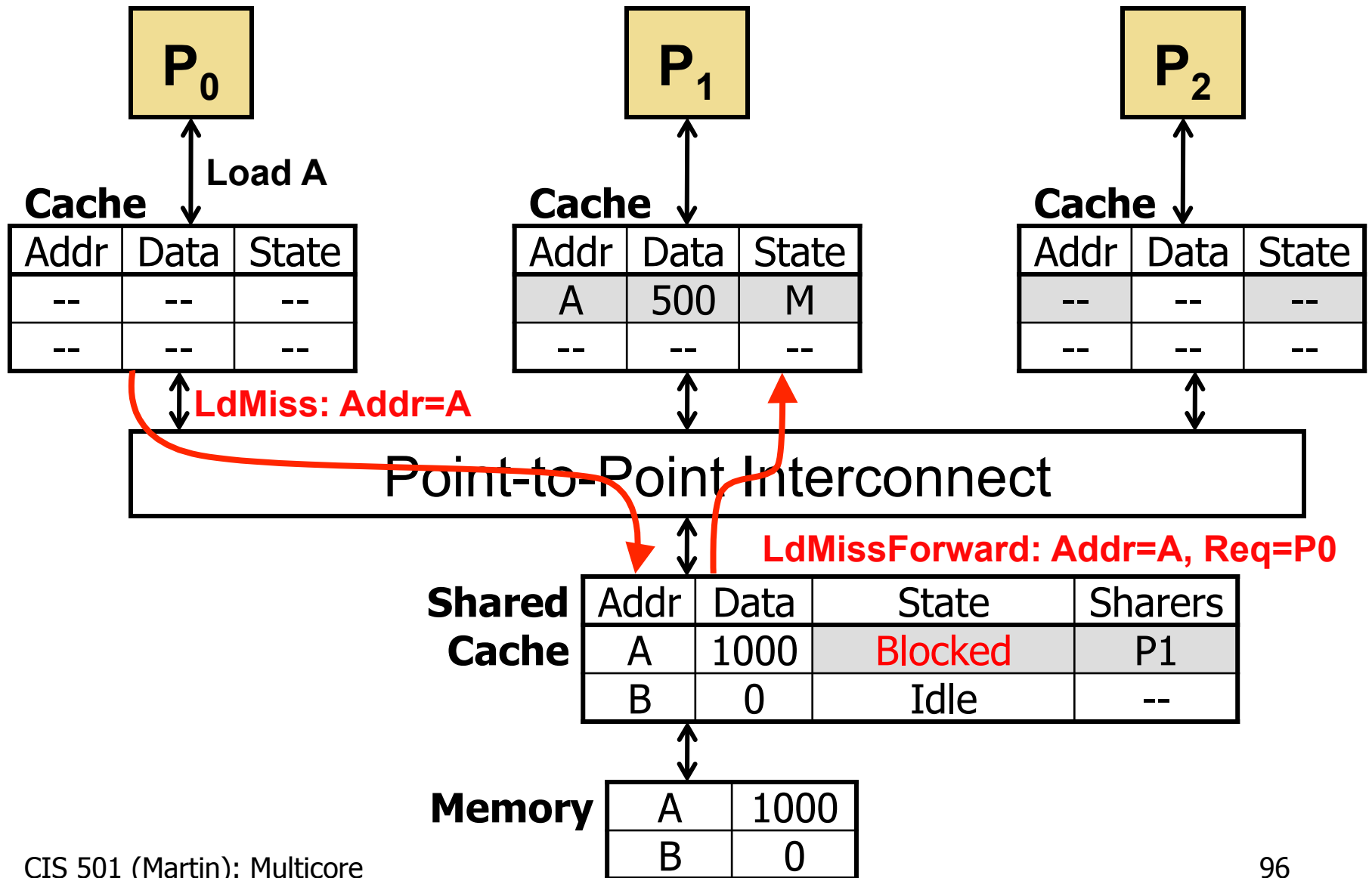
Snooping Example: Step #10



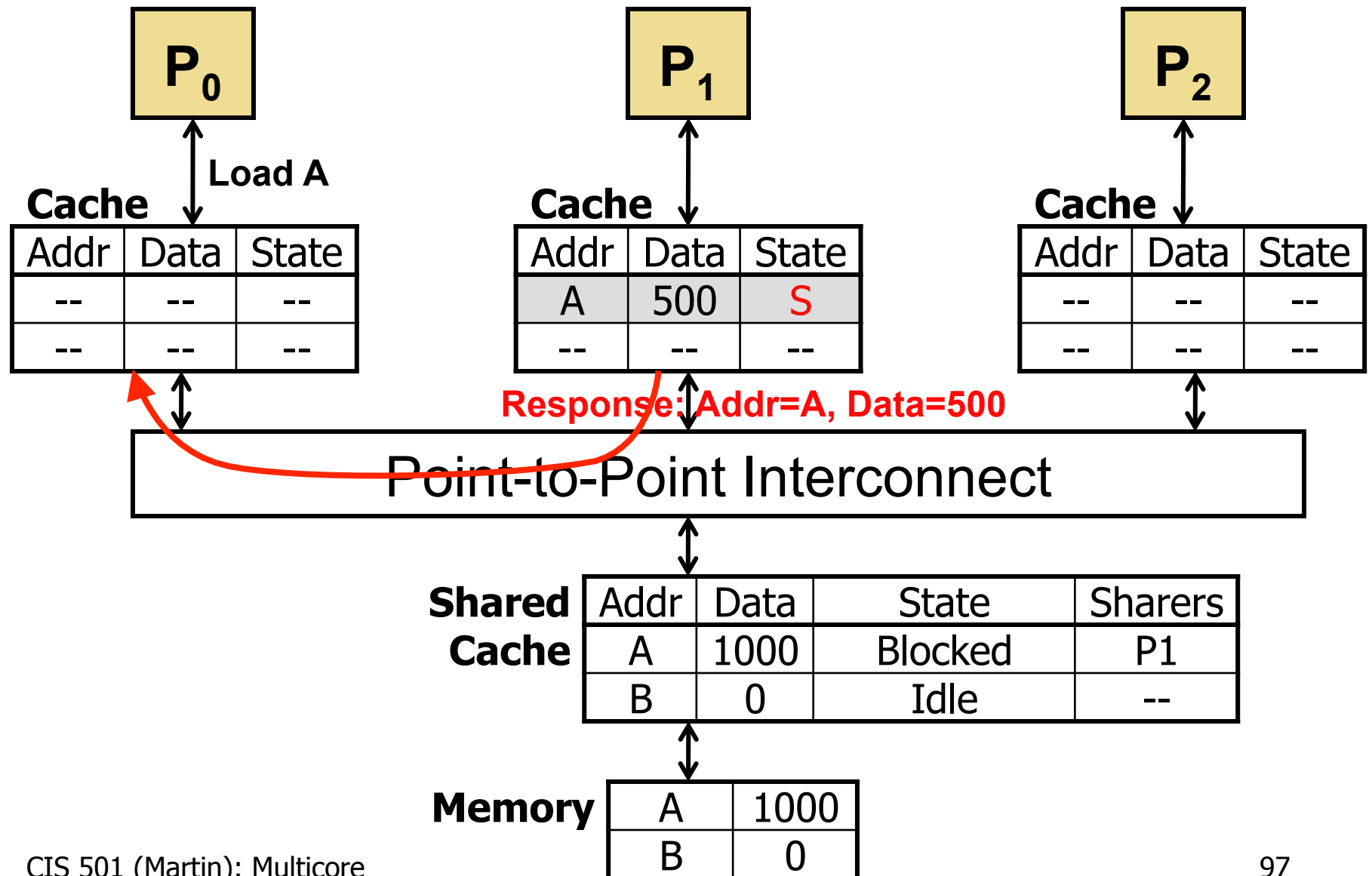
Directory Example: Step #1



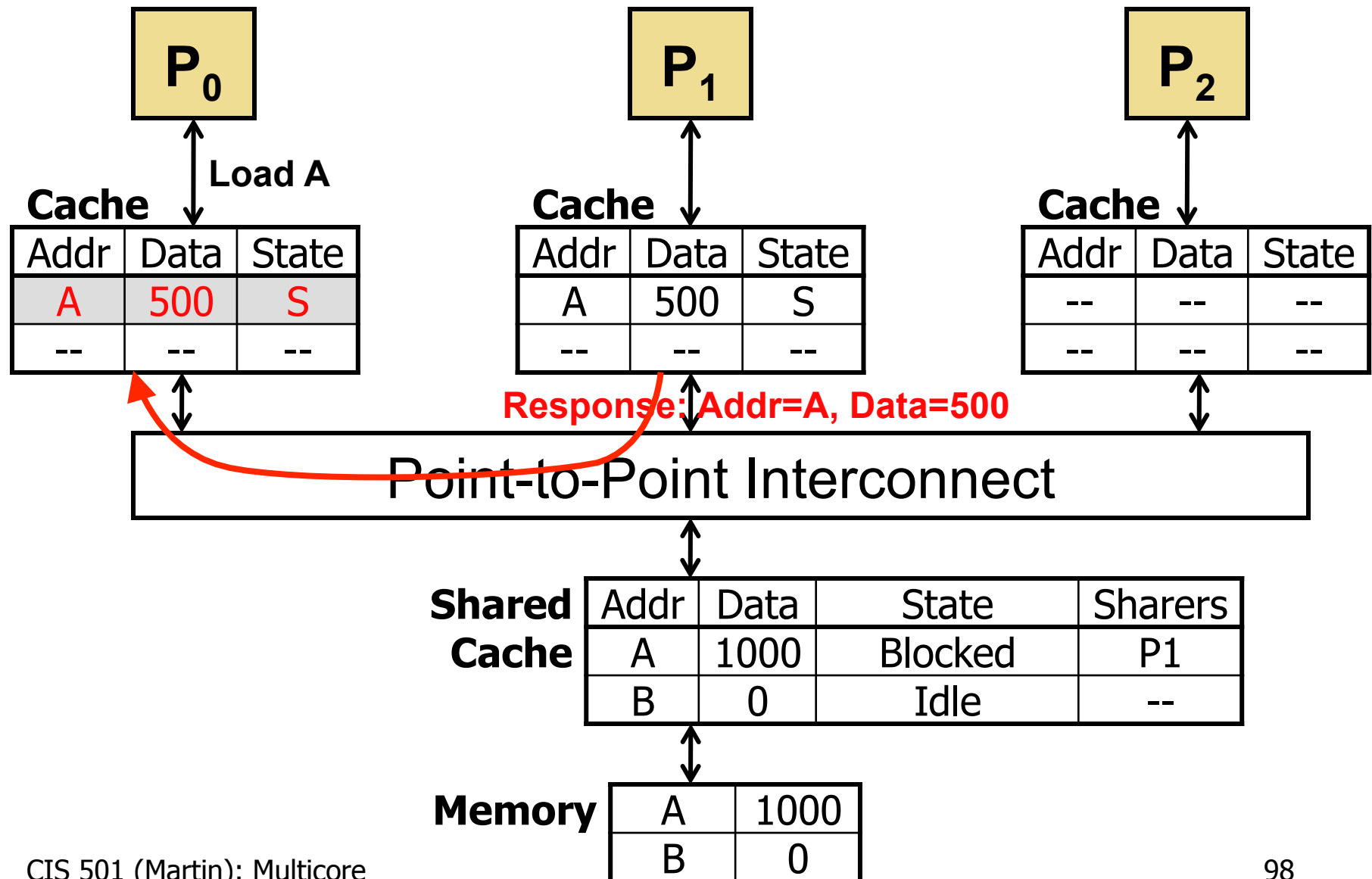
Directory Example: Step #2



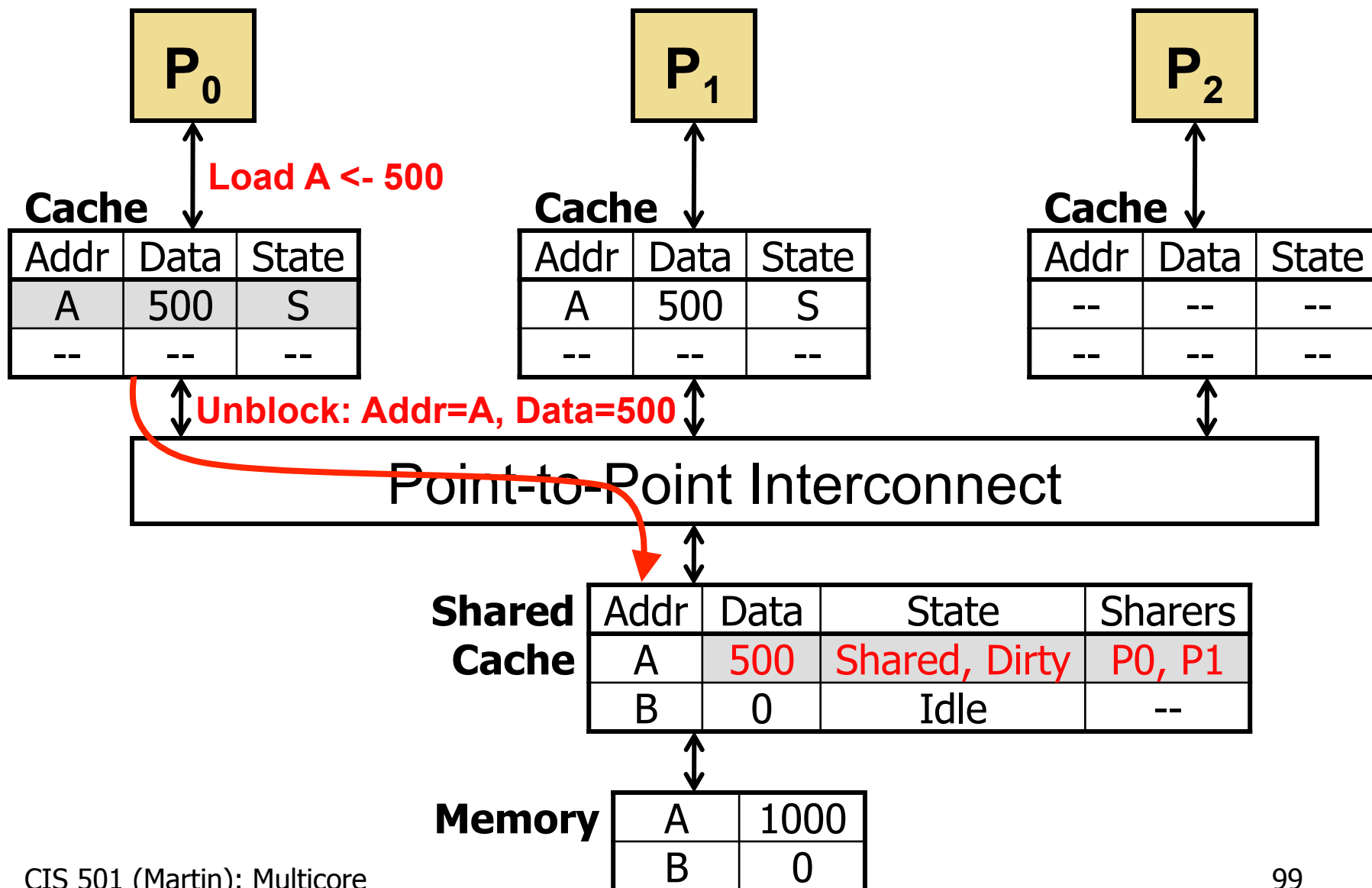
Directory Example: Step #3



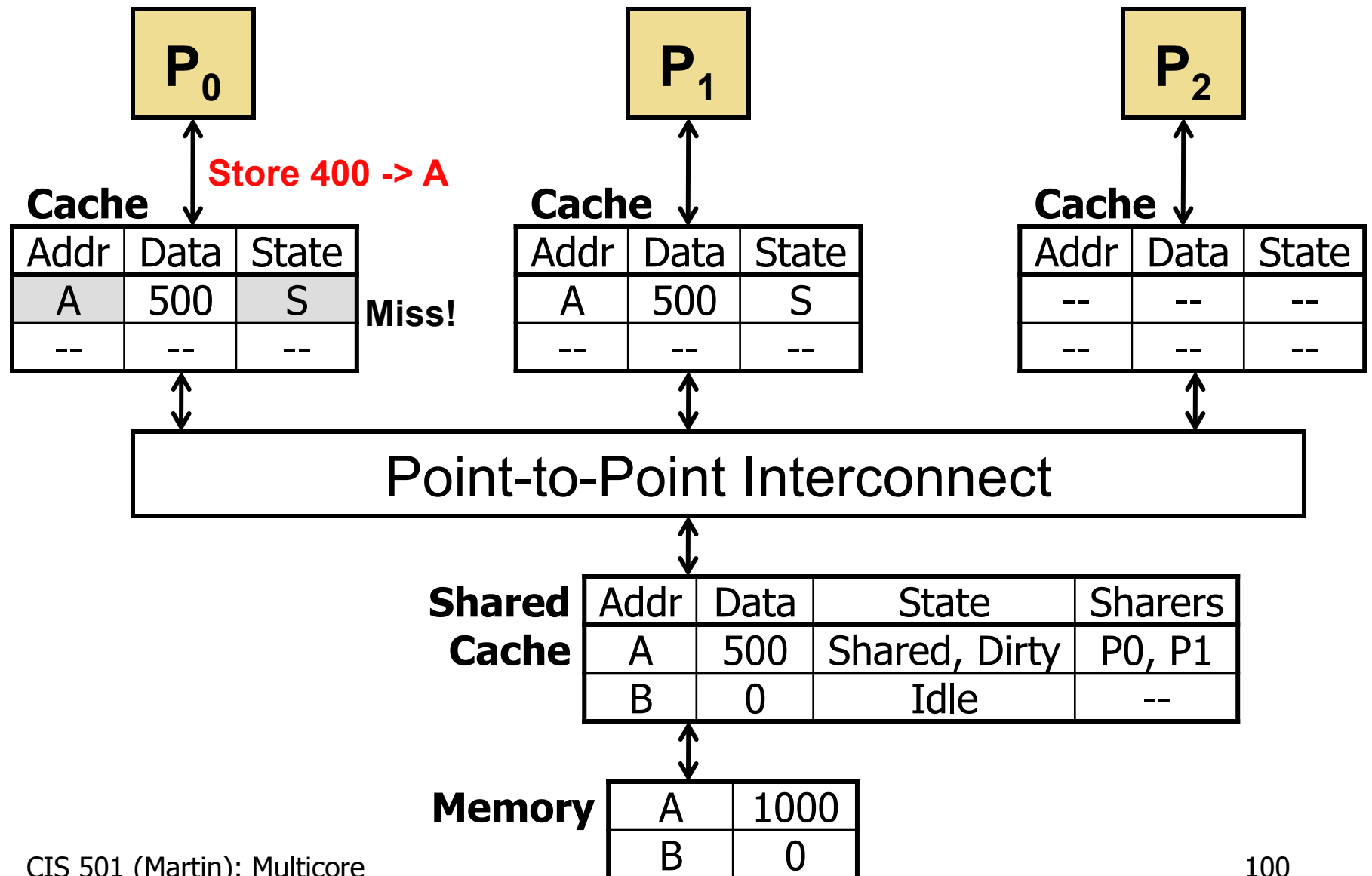
Directory Example: Step #4



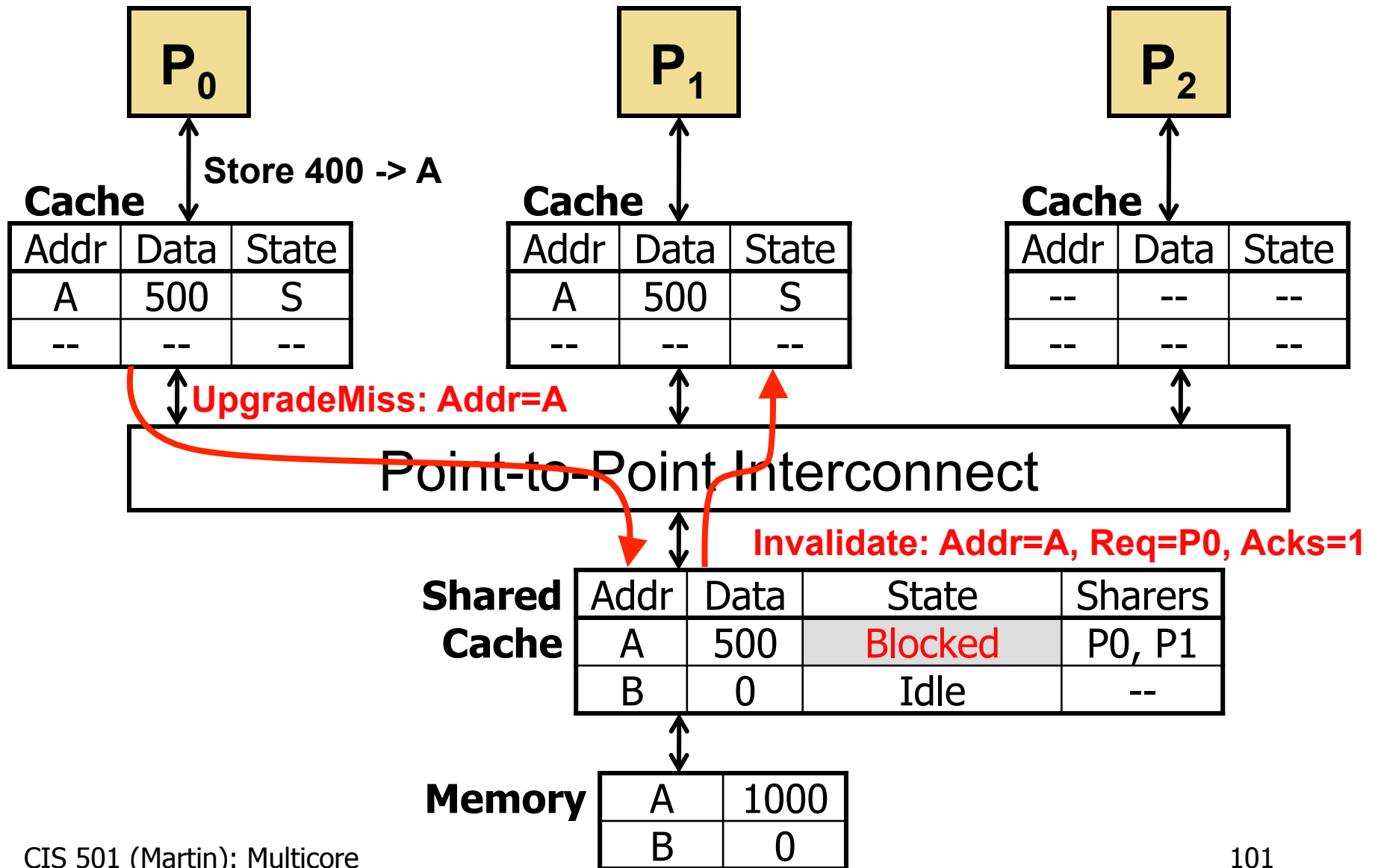
Directory Example: Step #5



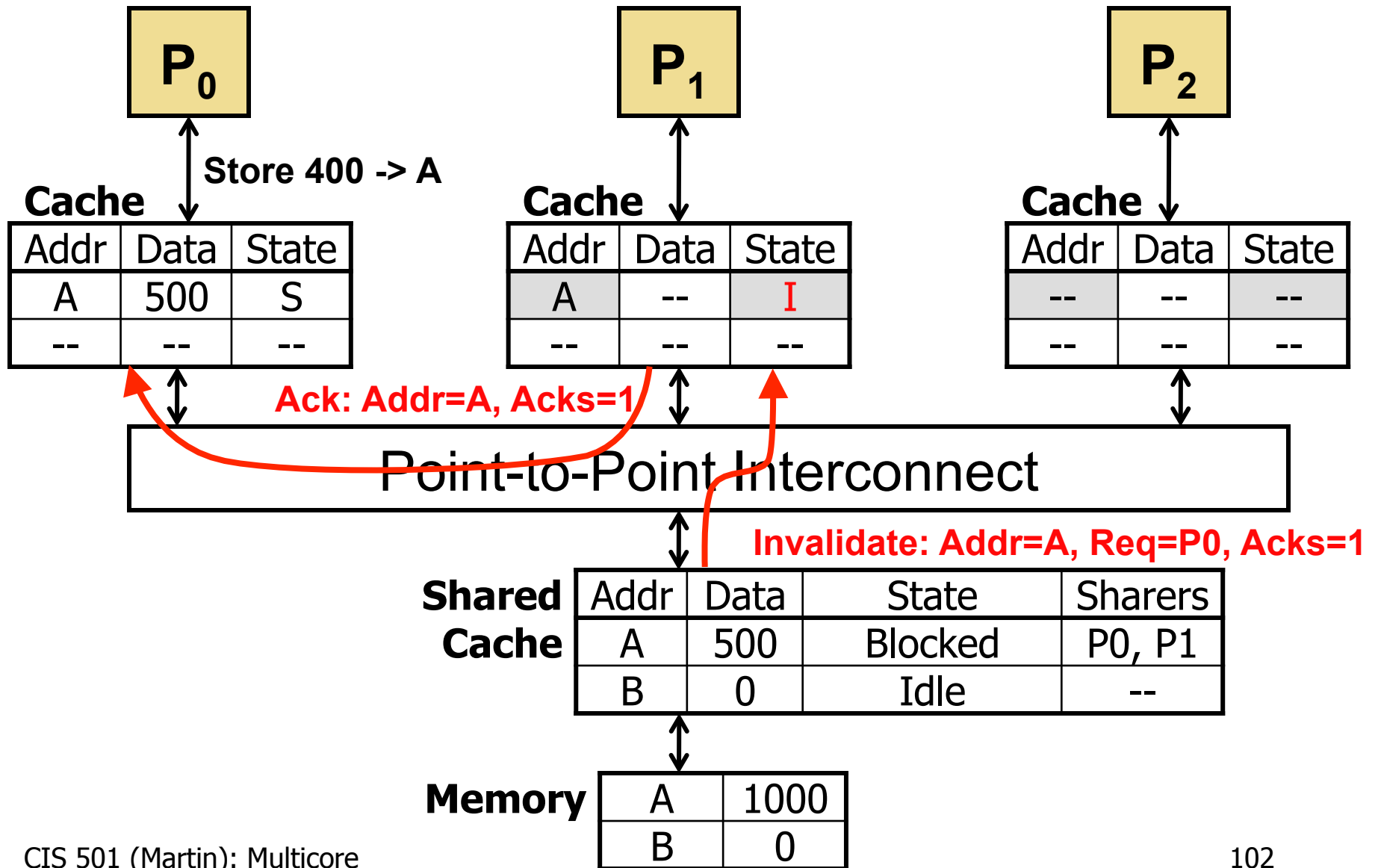
Directory Example: Step #6



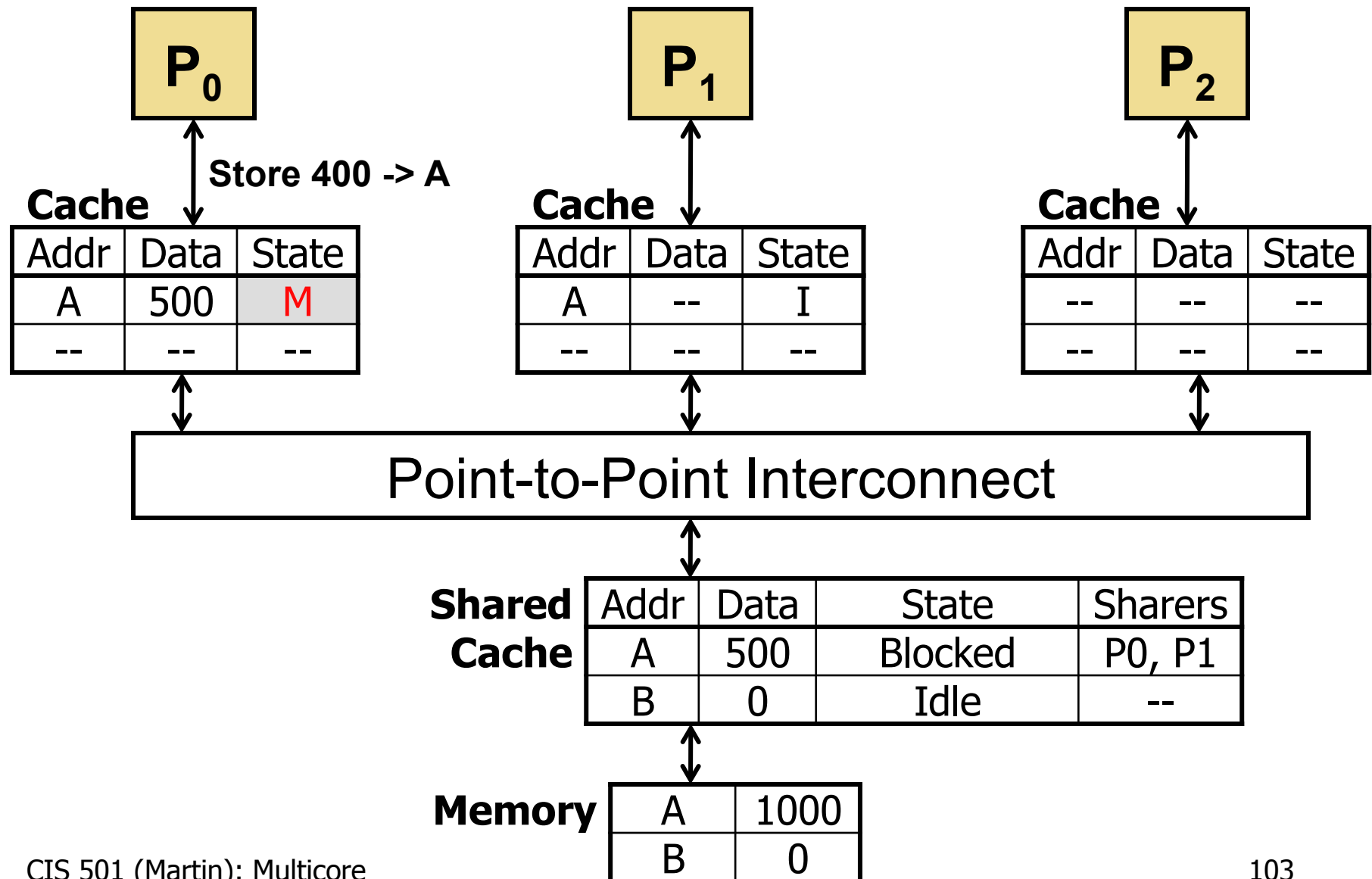
Directory Example: Step #7



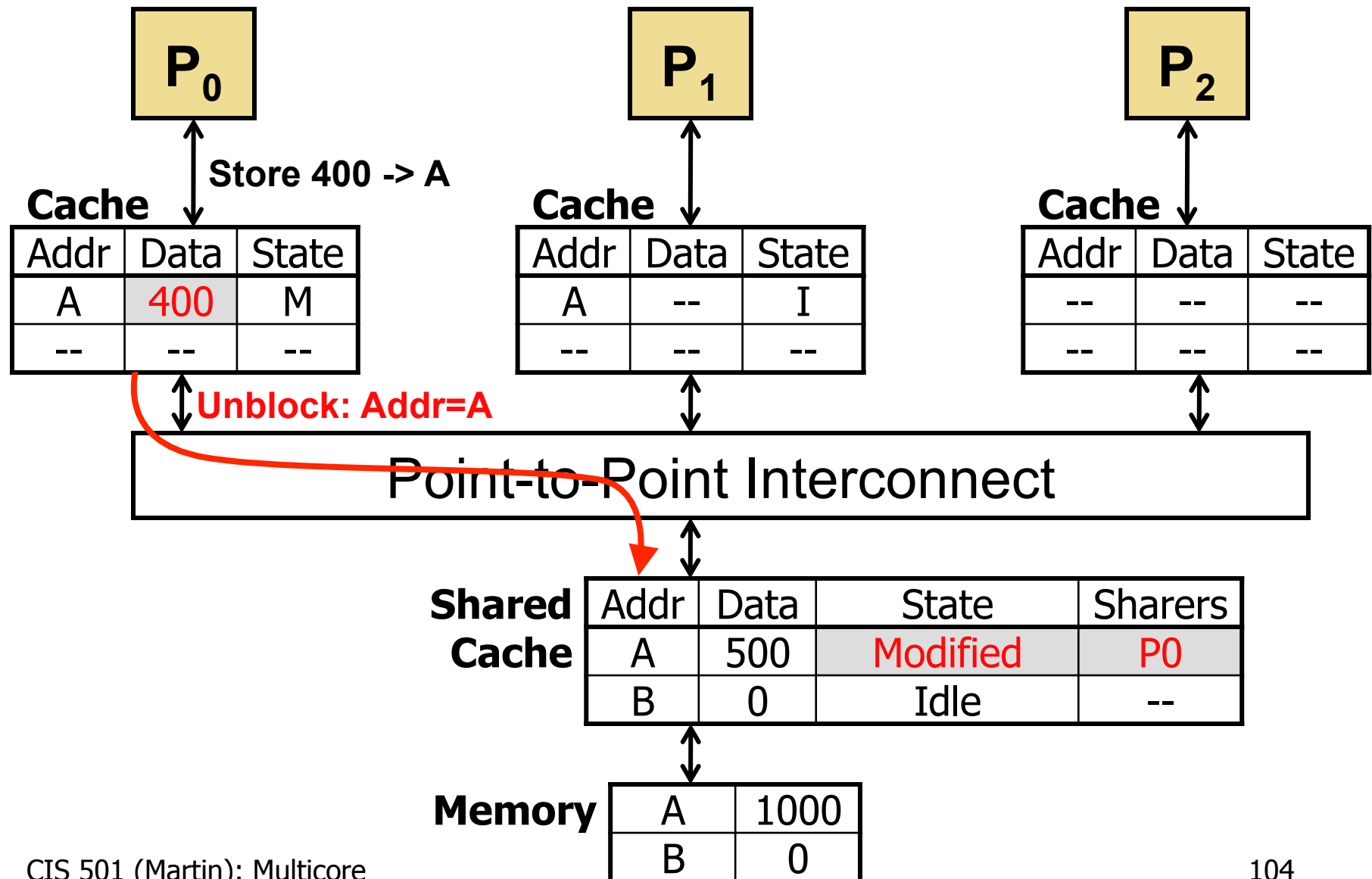
Directory Example: Step #8



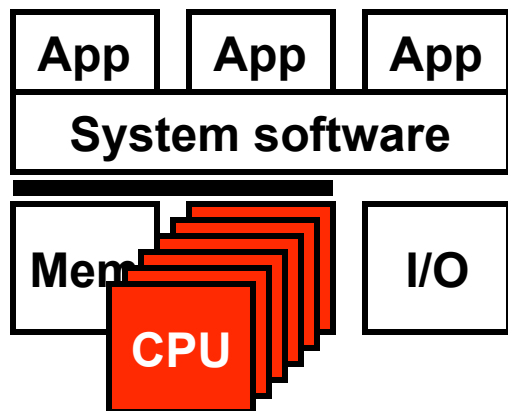
Directory Example: Step #9



Directory Example: Step #10



Roadmap Checkpoint



- Thread-level parallelism (TLP)
- Shared memory model
 - Multiplexed uniprocessor
 - Hardware multithreading
 - Multiprocessing
- Synchronization
 - Lock implementation
 - Locking gotchas
- Cache coherence
 - Bus-based protocols
 - Directory protocols
- **Memory consistency models**

MEMORY CONSISTENCY

Shared Memory Example #1

- **Initially: all variables zero** (that is, x is 0, y is 0)

thread 1	thread 2
store 1 → y load x	store 1 → x load y

- What value pairs can be read by the two loads?
(x, y)

Shared Memory Example #2

- **Initially: all variables zero** (that is, x is 0, y is 0)

thread 1	thread 2
store 1 → y	load x
store 1 → x	load y

- What value pairs can be read by the two loads?
(x, y)

Shared Memory Example #3

- **Initially: all variables zero** (flag is 0, a is 0)

thread 1	thread 2
<code>store 1 → a</code> <code>store 1 → flag</code>	<code>while(flag == 0) { }</code> <code>load a</code>

- What value can be read by “load a”?

“Answer” to Example #1

- Initially: all variables zero (that is, x is 0, y is 0)

thread 1	thread 2
store 1 → y load x	store 1 → x load y

- What value pairs can be read by the two loads?

store 1 → y load x store 1 → x load y (x=0, y=1)	store 1 → y store 1 → x load x load y (x=1, y=1)	store 1 → y store 1 → x load y load x (x=1, y=1)
store 1 → x load y store 1 → y load x (x=1, y=0)	store 1 → x store 1 → y load y load x (x=1, y=1)	store 1 → x store 1 → y load x load y (x=1, y=1)

- What about (x=0, y=0)?

“Answer” to Example #2

- **Initially: all variables zero** (that is, x is 0, y is 0)

thread 1	thread 2
store 1 → y	load x
store 1 → x	load y

- What value pairs can be read by the two loads?
 - (x=1, y=1)
 - (x=0, y=0)
 - (x=0, y=1)
- Is (x=1, y=0) allowed?

“Answer” to Example #3

- **Initially: all variables zero** (flag is 0, a is 0)

thread 1	thread 2
<code>store 1 → a</code> <code>store 1 → flag</code>	<code>while(flag == 0) { }</code> <code>load a</code>

- What value can be read by “load a”?
 - “load a” can see the value “1”
- Can “load a” read the value zero?

What is Going On?

- Reordering of memory operations to different addresses!
- **In the compiler**
 - Compiler is generally allowed to re-order memory operations to different addresses
 - Many other compiler optimizations also cause problems
- **In the hardware**
 - To tolerate write latency
 - Processes don't wait for writes to complete
 - And why should they? No reason on a uniprocessors
 - To simplify out-of-order execution

Memory Consistency

- **Memory coherence**
 - Creates globally uniform (consistent) view...
 - Of **a single memory location** (in other words: cache line)
 - Not enough
 - Cache lines A and B can be individually consistent...
 - But inconsistent with respect to each other
- **Memory consistency**
 - Creates globally uniform (consistent) view...
 - Of **all memory locations relative to each other**
- Who cares? Programmers
 - Globally inconsistent memory creates mystifying behavior

Coherence vs. Consistency

```

                A=0  flag=0
Processor 0
A=1;
flag=1;

                Processor 1
while (!flag); // spin
print A;
```

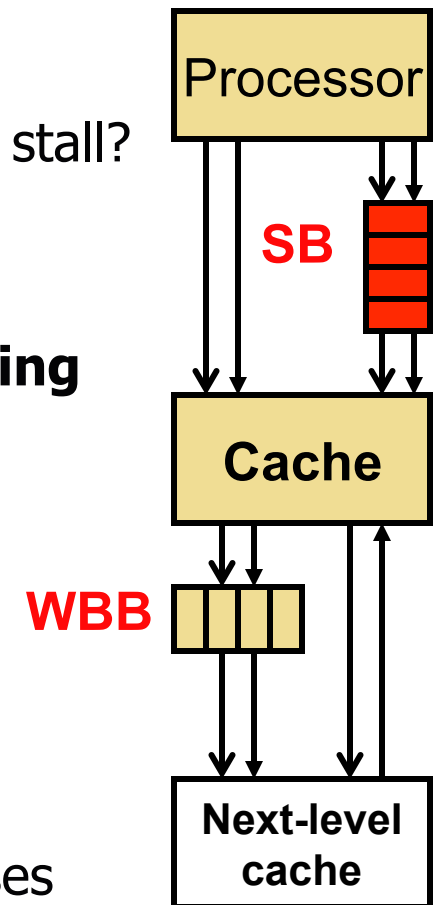
- **Intuition says:** P1 prints A=1
- **Coherence says:** absolutely nothing
 - P1 can see P0's write of `flag` before write of `A`!!! How?
 - **P0 has a coalescing store buffer that reorders writes**
 - **Or out-of-order load execution**
 - **Or compiler reorders instructions**
- Imagine trying to figure out why this code sometimes "works" and sometimes doesn't
- **Real systems** are allowed to act in this strange manner
 - What is allowed? defined as part of the ISA and/or language

Hiding Store Miss Latency

- Why? Why Allow Such Odd Behavior?
 - Reason #1: hiding store miss latency
- Recall (back from caching unit)
 - Hiding store miss latency
 - How? Store buffer
- Said it would complicate multiprocessors
 - Yes. It does.

Recall: Write Misses and Store Buffers

- Read miss?
 - Load can't go on without the data, it must stall
- Write miss?
 - Technically, no instruction is waiting for data, why stall?
- **Store buffer**: a small buffer
 - Stores put address/value to store buffer, **keep going**
 - Store buffer writes stores to D\$ in the background
 - Loads must search store buffer (in addition to D\$)
 - + Eliminates stalls on write misses (mostly)
 - Creates some problems (later)
- Store buffer vs. writeback-buffer
 - Store buffer: "in front" of D\$, for hiding store misses
 - Writeback buffer: "behind" D\$, for hiding writebacks



Two Kinds of Store Buffers

- FIFO (First-in, First-out) store buffers
 - All stores enter the store buffer, drain into the cache in-order
 - In an in-order processor...
 - Allows later loads to execute under store miss
 - In an out-of-order processor...
 - Instructions “commit” with older stores still in the store queue
- “Coalescing” store buffers
 - Organized like a mini-cache (tags, blocks, etc.)
 - But with per-byte valid bits
 - At commit, stores that miss the cache placed in store buffer
 - Stores that hit in the cache, written into cache
 - When the store miss returns, all stores to that address drain into the cache
 - That is, not necessarily in FIFO order

Store Buffers & Consistency

```
                A=0  flag=0
Processor 0      Processor 1
A=1;              while (!flag); // spin
flag=1;           print A;
```

- Consider the following execution:
 - Processor 0's write to A, misses the cache. Put in store buffer
 - Processor 0 keeps going
 - Processor 0 write "1" to flag hits, writes to the cache
 - Processor 1 reads flag... sees the value "1"
 - Processor 1 exits loop
 - Processor 1 prints "0" for A
- Ramification: store buffers can cause "strange" behavior
 - How strange depends on lots of things

Simplifying Out-of-Order Execution

- Why? Why Allow Such Odd Behavior?
 - Reason #2: simplifying out-of-order execution
- One key benefit of out-of-order execution:
 - Out-of-order execution of loads to (same or different) addresses

thread 1	thread 2
store 1 → y	load x
store 1 → x	load y

- Uh, oh.

Simplifying Out-of-Order Execution

- Two options:
 - Option #1: **allow** this sort of “odd” reordering
 - Option #2: add more hardware, **prevent** these reorderings
- How to prevent?
 - Scan the Load Queue (LQ) on stores from **other** threads
 - Flush and rollback on conflict
- How to detect these stores from other threads?
 - Leverage cache coherence!
 - As long as the block remains in the cache...
 - Another core can't write to it
 - Thus, anytime a block leaves the cache (invalidation or eviction)...
 - Scan the load queue. If any loads to the address have executed but not committed, squash the pipeline and restart

3 Classes of Memory Consistency Models

- **Sequential consistency (SC)** (MIPS, PA-RISC)
 - **Formal definition of memory view programmers expect**
 - 1. Processors see their own loads and stores in program order
 - 2. Processors see others' loads and stores in program order
 - 3. All processors see same global load/store ordering
 - Last two conditions not naturally enforced by coherence
 - Corresponds to some sequential interleaving of uniprocessor orders
 - **Indistinguishable from multi-programmed uni-processor**
- **Processor consistency (PC)** (x86, SPARC)
 - Allows a in-order store buffer
 - Stores can be deferred, but must be put into the cache in order
- **Release consistency (RC)** (ARM, Itanium, PowerPC)
 - Allows an un-ordered store buffer
 - Stores can be put into cache in any order
 - Loads re-ordered, too.

Answer to Example #1

- **Initially: all variables zero** (that is, x is 0, y is 0)

thread 1	thread 2
store 1 → y load x	store 1 → x load y

- What value pairs can be read by the two loads?

store 1 → y load x store 1 → x load y (x=0, y=1)	store 1 → y store 1 → x load x load y (x=1, y=1)	store 1 → y store 1 → x load y load x (x=1, y=1)
store 1 → x load y store 1 → y load x (x=1, y=0)	store 1 → x store 1 → y load y load x (x=1, y=1)	store 1 → x store 1 → y load x load y (x=1, y=1)

- What about (x=0, y=0)? Yes! (for x86, SPARC, ARM, PowerPC)

Answer to Example #2

- **Initially: all variables zero** (that is, x is 0, y is 0)

thread 1	thread 2
store 1 → y	load x
store 1 → x	load y

- What value pairs can be read by the two loads?
 - (x=1, y=1)
 - (x=0, y=0)
 - (x=0, y=1)
- Is (x=1, y=0) allowed?
 - Yes! (for ARM, PowerPC, Itanium, and Alpha)
 - No! (for Intel/AMD x86, Sun SPARC, IBM 370)
 - Assuming the compiler didn't reorder anything...

Answer to Example #3

- **Initially: all variables zero** (flag is 0, a is 0)

thread 1	thread 2
<code>store 1 → a</code> <code>store 1 → flag</code>	<code>while(flag == 0) { }</code> <code>load a</code>

- What value can be read by “load a”?
 - “load a” can see the value “1”
- Can “load a” read the value zero? (same as last slide)
 - Yes! (for ARM, PowerPC, Itanium, and Alpha)
 - No! (for Intel/AMD x86, Sun SPARC, IBM 370)
 - Assuming the compiler didn’t reorder anything...

Restoring Order (Hardware)

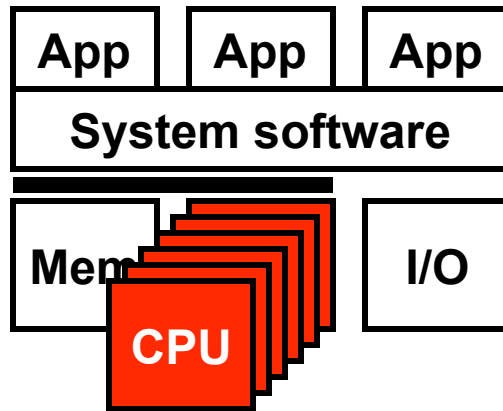
- Sometimes we need ordering (mostly we don't)
 - Prime example: ordering between "lock" and data
- How? insert **Fences (memory barriers)**
 - Special instructions, part of ISA
- Example
 - Ensure that loads/stores don't cross lock acquire/release operation

```
acquire
fence
critical section
fence
release
```
- How do fences work?
 - They stall execution until write buffers are empty
 - Makes lock acquisition and release slow(er)
- **Use synchronization library, don't write your own**

Restoring Order (Software)

- These slides have focused mostly on hardware reordering
 - But the compiler also reorders instructions (reason #3)
- How do we tell the compiler to not reorder things?
 - Depends on the language...
- In Java:
 - The built-in “synchronized” constructs informs the compiler to limit its optimization scope (prevent reorderings across synchronization)
 - Or, programmer uses “volatile” keyword to explicitly mark variables
 - Java compiler also inserts the hardware-level ordering instructions
- In C/C++:
 - Much more murky, as language doesn’t define synchronization
 - Lots of hacks: “inline assembly”, volatile, atomic (newly proposed)
 - Programmer may need to explicitly insert hardware-level fences
- **Use synchronization library, don’t write your own**

Summary



- Explicit parallelism
- Shared memory model
 - Multiplexed uniprocessor
 - Hardware multithreading
 - Multiprocessing
- Synchronization
 - Lock implementation
 - Locking gotchas
- Cache coherence
 - VI, MSI, MESI
 - Bus-based protocols
 - Directory protocols
- Memory consistency models